

### Electrode Steam Humidifier

### CompactLine



CL.EN  
E-8881102

## A Word about Water Quality

The mode of operation of all electrode steam humidifiers is based on the fact that water contains minerals and is therefore conductive.

- "normal" tap water is ideal.
- but what is "normal" tap water exactly?

Users of HygroMatik units in the most diverse areas consider their tap water "normal."

HygroMatik typically defines "normal" as feed water with a conductivity between 200 and 500  $\mu\text{S}/\text{cm}$  (microSiemens per centimeter) at 15° C.

Some areas, however, are supplied with tap water whose quality is outside the parameters specified by HygroMatik. If the HygroMatik steam humidifier's control is not adjusted correctly in these areas, the unit cannot perform optimally. For example, the electrodes could wear out particularly quickly or the steam production could be too low.

The operational parameters set by HygroMatik in the factory are intended for normal tap water. However, they can very easily be reprogrammed to fit the special requirements of a particular area. In addition, it is possible to install a plastic star in the cylinder in order to increase the life span of the electrodes or to provide a flushing mechanism to extend maintenance intervals.

Because of this you should monitor your new unit during initial operation. Make sure that it has been properly installed and is operating to your satisfaction.

Consult your HygroMatik specialists. We will test the quality of your water and advise you on installation and initial operation. Your HygroMatik steam humidifier will be carefully adapted to your particular application.

© Copyright HygroMatik GmbH; CompactLine 03.07.2017

Information in this manual is subject to change or alteration without prior notice.

Current version of this manual can be found at: [www.hygromatik.co.uk](http://www.hygromatik.co.uk)

### **▲ WARNING**

#### **Hazardous Voltage! Risk of electrical shock!**

All work to be performed by trained personnel only. All electrical installation and servicing of the electrical components of this unit to be performed by qualified electricians only. Disconnect power supply before installation and servicing!

<b>1. Introduction</b> .....	<b>5</b>
1.1 Typographic Distinctions .....	5
1.2 Documentation .....	5
1.3 Symbols in Use .....	6
1.3.1 Specific Symbols related to Safety Instructions .....	6
1.3.2 General Symbols .....	6
1.4 Intended Use .....	6
<b>2. Safety Instructions</b> .....	<b>8</b>
2.1 Guidelines for Safe Operation .....	8
2.1.1 General .....	8
2.1.2 Unit control .....	8
2.1.3 Unit operation .....	8
2.1.4 Mounting, dismantling, maintenance and repair of the unit .....	9
2.2 Electrical .....	10
2.2.1 Disposal after dismantling .....	10
<b>3. Transport</b> .....	<b>11</b>
3.1 Overview .....	11
3.2 Packing .....	11
3.3 Interim Storage .....	11
3.4 Check for Complete and Correct Delivery of Goods .....	11
<b>4. Operation and Installation</b> .....	<b>12</b>
4.1 Mode of Operation .....	12
4.2 Installation and Operation .....	12
<b>5. Installation</b> .....	<b>15</b>
5.1 Steam Humidifier Operating Environment .....	15
5.1.1 Fitting measures .....	17
5.1.2 Equipment Dimensions C01 - C58 .....	18
5.2 Fan Unit (optional) .....	19
5.2.1 Fan Unit Type VG .....	19
5.3 Absorption Distance BN .....	20
5.3.1 Determining the Absorption Distance .....	20
5.3.2 Absorption Distance Nomogram .....	22
5.4 Steam Manifold .....	23
5.4.1 Notes on Installation .....	23
5.5 Steam Line .....	27
5.6 Cover Plate .....	28
5.7 Condensate Hose .....	29
5.8 Types of Installation .....	29
5.9 Steam Solenoid Valves .....	31
5.10 Unit Installation Check .....	31
<b>6. Water Installation</b> .....	<b>32</b>
6.1 Operation with Softened Water .....	33
6.2 Water Supply .....	34

---

6.3 Water discharge .....	35
6.4 HyFlow Provision (Special Model) .....	37
6.5 Water Installation Check .....	38
<b>7. Electrical Connection .....</b>	<b>39</b>
7.1 Electrical Installation .....	39
7.2 Cable Connections .....	42
7.3 Fan Unit .....	43
7.4 Safety Interlock .....	44
7.5 Wiring Diagram .....	44
7.6 Electrical Installation Checklist .....	44
<b>8. Commissioning .....</b>	<b>45</b>
<b>9. Maintenance .....</b>	<b>47</b>
9.1 Maintenance Work .....	48
9.2 Access to Electrical Enclosure .....	49
9.3 Removing and Cleaning the Steam Cylinder .....	49
9.4 Electrode wear .....	56
9.4.1 Original Electrode Lengths .....	56
9.4.2 Uneven Electrode Wear .....	57
9.5 Replacing Electrodes .....	57
9.6 Cleaning the Blow- down pump .....	58
9.7 Cleaning the Water Inlet Solenoid Valve .....	60
9.8 Cleaning the Water Inlet Solenoid Valve and HyFlow System Separator (special models only) .....	61
9.9 Checking Cable Connections and Electrode Cables .....	62
9.10 Checking Hoses .....	62
9.11 Checking Operation .....	62
9.12 Dismantling .....	62
<b>10. EC-Declaration of Conformity .....</b>	<b>63</b>
<b>11. Spare Parts .....</b>	<b>64</b>
<b>12. Fax Form - Order for spare parts .....</b>	<b>69</b>
<b>13. Technical Data .....</b>	<b>71</b>
<b>14. Exploded View .....</b>	<b>72</b>
<b>15. View of housing .....</b>	<b>73</b>

## 1. Introduction

**Dear Customer,**

Thank you for choosing a HygroMatik steam humidifier.

HygroMatik steam humidifiers represent the latest in humidification technology.

In order to operate your HygroMatik steam humidifier safely, properly and efficiently, please read these operating instructions.

Employ your steam humidifier only in sound condition and as directed. Consider potential hazards and safety issues and follow all the recommendations in these instructions.

If you have additional questions, please contact us:

**Tel.: +49-(0)4193 / 895-0 (Main Number)**

**Tel.: +49-(0)4193 / 895-293 (Technical Support Hotline)**

**Fax: +49-(0)4193 / 895-33**

**e-mail: [hotline@HygroMatik.de](mailto:hotline@HygroMatik.de)**

For all technical questions or spare parts orders, please be prepared to provide unit type and serial number (see name plate on the unit).

### 1.1 Typographic Distinctions

- preceded by a bullet: general specifications
- » preceded by an arrow: Procedures for servicing or maintenance which should or must be performed in the indicated order
- Installation step which must be checked off
- italics* Terms used with graphics or drawings

### 1.2 Documentation

#### **Retention**

Please retain these operating instructions in a secure, always accessible location. If the product is resold, turn the documentation over to the new operator. If the documentation is lost, please contact HygroMatik.

#### **Versions in Other Languages**

These operating instructions are available in several languages. If interested, please contact HygroMatik or your HygroMatik dealer.

## 1.3 Symbols in Use

### 1.3.1 Specific Symbols related to Safety Instructions

According to ANSI Z535.6 the following signal words are used within this document:

#### **⚠ DANGER**

DANGER indicates a hazardous situation which, if not avoided, will result in death or serious injury.

#### **⚠ WARNING**

WARNING indicates a hazardous situation which, if not avoided, could result in death or serious injury.

#### **⚠ CAUTION**

CAUTION indicates a hazardous situation which, if not avoided, could result in minor or moderate injury.

#### **NOTICE**

NOTICE is used to address practices not related to physical injury.

### 1.3.2 General Symbols

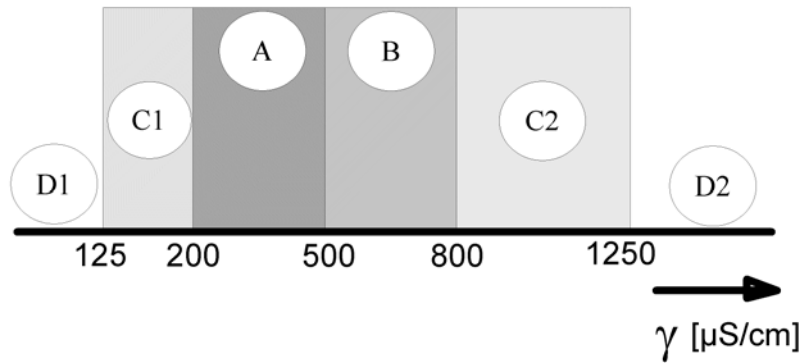
#### **Please note**

This symbol is used whenever a situation requires special attention beyond the scope of safety instructions.

## 1.4 Intended Use

The HygroMatik steamgenerator serves for steam production based on various water qualities or partially softened water (valid for all of the HygroMatik humidifier models). With the HeaterLine, HeaterCompact/Kit and HeaterSlim family of products, also fully desalinated water/cleaned condensate may be used.

**Only use supply water featuring a conductivity of 125 to 1250  $\mu\text{S}/\text{cm}$ .**



D1: Lower threshold

C1: Range of reduced conductivity (adjustments recommended)

A: Normal tap water

B: Range of heightened conductivity

C2: Range of high conductivity (adjustments recommended)

D2: Upper threshold

Proper usage also comprises the adherence to the conditions specified by HygroMatik for:

- installation
- dismantling
- reassembly
- commissioning
- operation
- maintenance
- disposal.

Only qualified and authorised personnel may operate the unit. Persons transporting or working on the unit must have read and understood the corresponding parts of the Operation and Maintenance Instructions and especially the chapter 2. „Safety Notes“. Additionally, operating personnel must be informed of any possible dangers. You should place a copy of the Operation and Maintenance Instructions at the unit’s operational location (or near the unit).

**By construction, HygroMatik steam humidifiers are not qualified for exterior application.**

**▲ WARNING**

**Risk of scalding!**

Steam with a temperature of up to 100 °C is produced.

Do not inhale steam directly in order to avoid respiratory damage!

## 2. Safety Instructions

These safety instructions are required by law. They promote workplace safety and accident prevention.

### 2.1 Guidelines for Safe Operation

#### 2.1.1 General

Comply with the accident prevention regulation „DGUV Regulation 3“ to prevent injury to yourself and others. Beyond that, national regulations apply without restrictions.

#### 2.1.2 Unit control

Do not perform any work which compromises the safety of the unit. Obey all safety notes and warnings present on the unit.

In case of a malfunction or power grid disruption, switch off the unit immediately and prevent a restart. Repair malfunctions promptly.

#### **▲ WARNING**

##### **Restricted use.**

This unit is not designed for the use by persons (also children) with limited physical, sensory and mental abilities - or without knowledge and experience - unless they are supervised or trained by a person, who is responsible for their safety.

Supervise children in order to ensure that they will not play with the unit.

---

#### 2.1.3 Unit operation

#### **▲ WARNING**

##### **Risk of scalding!**

In case of leaking or defective components, hot steam may exit in an uncontrolled manner.

---

In case of malfunction or electrical power disruption, switch off the unit immediately and prevent from restart.



**NOTICE**

**Risk of material damage!**The unit may be damaged if switched on repeatedly following a malfunction without prior repair. Rectify defects immediately!

---

The unit must not be operated on a DC power supply.

The unit may only be used connected to a steam pipe that safely transports the steam (not valid device type MiniSteam).

Regularly check that all safety and monitoring devices are functioning normally. Do not remove or disable safety devices.

#### **2.1.4 Mounting, dismantling, maintenance and repair of the unit**

**NOTICE**

The HygroMatik steam humidifier is IP20 protected. Make sure that the unit is not object to dripping water in the mounting location.

When installation is made in a room without a drain, safety precautions must be taken in order for to shut off the humidifier's water supply in event of a leak.

---

Use genuine spare parts only.

After any repair work, have qualified personnel check the safe operation of the unit.

Attaching or installing of **additional components** is permitted only with the **written consent** of the manufacturer.

## 2.2 Electrical

**⚠ WARNING**

**Risk of electrical shock!** Hazardous electrical high voltage. Any work on the electrical system may only be performed by qualified personnel. Disconnect unit components from electrical power supply prior to work. After electrical installation or repair work, test all safety mechanisms (such as grounding resistance).

---

**NOTICE**

Use only original fuses with the appropriate amperage rating. Regularly check the unit's electrical equipment. Promptly repair any damage such as loose connections or burned wiring. Responsibility for intrinsically safe installation of the HygroMatik steam humidifiers (steam generators) is incumbent on the installing specialist company.

---

### 2.2.1 Disposal after dismantling

**NOTICE**

The operator is responsible for the disposal of unit components as required by law.

---

### 3. Transport

#### 3.1 Overview

**Please note** Proceed carefully when transporting the steam humidifier in order to prevent damage due to stress or careless loading and unloading.

#### 3.2 Packing

**Please note** Pay attention to the icons affixed to the packing box.

#### 3.3 Interim Storage

Store the unit in a dry place and protect from frost.

#### 3.4 Check for Complete and Correct Delivery of Goods

Upon receipt of the unit, confirm that:

- model and serial number on the name plate match those specified in the order and delivery documents and
- the equipment is complete and all parts are in perfect condition

**Please note** In case of damage during shipment or missing parts, immediately notify the carrier or supplier in writing.

Time limits for filing freight claims with shipping companies are\*:

Shipping company	After receipt of goods
Carriers	no later than 4 days
Parcel service	immediately

\* Time limits for some services subject to change.

## **4. Operation and Installation**

### **4.1 Mode of Operation**

The HygroMatik steam humidifier utilizes the conductivity normally present in tap water for steam production. Electrodes inside an enclosed steam cylinder are immersed directly into the tap water. They are connected to the alternating current.

The conductivity of the water generates an electric current between the electrodes. In this way, the electric power supplied is converted directly into heat without energy loss.

The amperage is a function of the available voltage, the immersed electrode surface area, the average distance between the electrodes and the water conductivity. The steam output of the humidifier is determined by electric power usage, which is regulated by increasing or decreasing the immersed surface area of the electrodes.

Concurrently, a self-regulating control keeps conductivity within a specified range.

The steam produced has a temperature of about 100°C with minimal excess pressure ("pressureless steam"). It is largely free of minerals and germ-free. Mineral deposits typically remain behind in the cylinder.

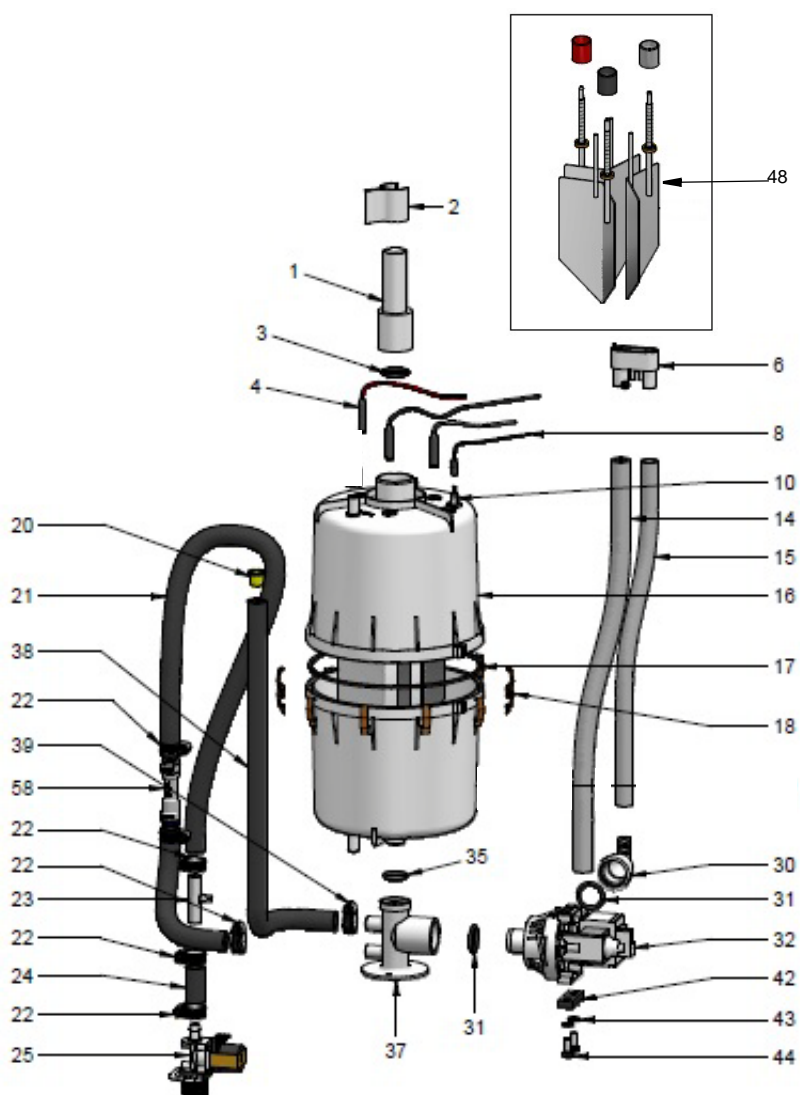
### **4.2 Installation and Operation**

By pressing the control switch („Pos. I”) the humidifier is turned on. When the controller specifies an increase in humidity, the main contactor is switched on and the electrodes (48) are supplied with power. The water inlet solenoid valve (25) feeds water into the steam cylinder (16+19).

As soon as the electrodes are immersed, the current begins to flow. The water is now heated. When the pre-selected output is reached, the control turns off the solenoid valve and interrupts the water supply.

After a short heating up period, the water between the electrodes begins to boil and vaporize. The vaporization lowers the water level in the steam cylinder, reducing the output provided. The inlet solenoid valve, equipped with a fine mesh filter, intermittently admits fresh water.

Humidifier power usage is continuously monitored. With a cold start-up, the nominal current increases to 125% in order to achieve quick-start output parameters. This activates the electronic overflow limiter which causes a partial draining of the cylinder. This reduces the immersed surface area of the electrodes, lowering power usage.



Please also see Section „Exploded View“.

Location	Designation
1	adapter
6	vent pipe
10	max. water level sensor electrode
14	water drain, discharge
16	steam cylinder
17	o-ring cylinder flange
18	cylinder flange and o-ring
25	solenoid valve water inlet
32	blow-down pump
35	o-ring
37	cylinder base
48	electrodes

The concentration of dissolved salts increases over time, which can lead to a rise in the conductivity of the water. If this continues, conductivity may increase until a short circuit occurs. This could damage the unit, but in any case would significantly reduce the life span of the electrodes.

For this reason, regular, periodic blow-downs of some of the concentrated water are very important. Following this procedure as recommended provides stable cylinder water conductivity as well as minimal water loss for the expected service life of the cylinder.

Water blow-down is performed by a blow-down pump (32). The functioning of the blow-down pump is continuously monitored during operation. If the pump is damaged, the steam humidifier shuts down.

With normal water quality, the blow-down loss rate is between 7% and 15% of the amount of steam produced. The steam cylinder requires complete drainage every 3-8 days, regardless of the water quality.

Mineral deposits settle in the open area below the electrodes and are removed through periodic maintenance. The blow-down pump itself has wide openings and can flush out smaller pieces of mineral deposit. This extends the service life of the unit and reduces the required maintenance interval.

During blow-downs, water flows from the pump into the drainage system.

A sensor electrode (10) monitors the maximum water capacity of the cylinder. When the water level reaches the sensor electrode, the water supply is interrupted. This can occur when the water has low conductivity or when the electrodes are worn out. In the case of low water conductivity, however, this state usually lasts only a short time. The built-in control and the large area electrodes combine to produce a rapid rise in conductivity by increasing the concentration of the water.

The steam cylinder consists of a top (16) and lower (19) part joined with a cylinder flange. The seal between the cylinder and cylinder base (37), as well as between the top and lower part of the cylinder, is maintained using o-rings (35+17).

For maintenance the cylinder can be drained by pressing the control switch „Pos.II”.

## 5. Installation

### **⚠ WARNING**

Installation of this unit to be accomplished only by qualified personnel (persons with completed training in the plumbing field and in the field of electrical installation work, respectively) !

---

Obey all safety notes and warnings present on the unit.

### **⚠ WARNING**

**Risk of electrical shock** Hazardous electrical voltage! During installation the unit must be disconnected from power supply.

---

HygroMatik accepts no liability for damage due to faulty installation.

Attaching or installing additional components is permitted only with the written consent of the manufacturer, or else the warranty is void.

### **⚠ WARNING**

#### **Risk of foot injuries!**

Unit may drop during mounting involving a single person. Helping hand of a second person is required.

---

## 5.1 Steam Humidifier Operating Environment

**Please note** When selecting the installation site for the steam humidifier, take the following in account:

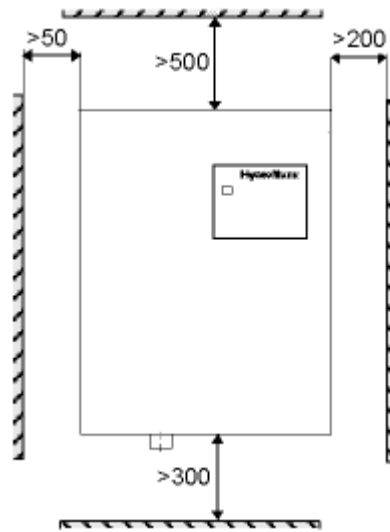
- Place the steam humidifier so that the unit is easily accessible with sufficient space to perform maintenance
- Ambient temperature must lie between +5 and +40 °C
- Relative humidity must not exceed 80% RH
- Installation in a closed room requires aeration and, eventually, temperature conditioning in order to meet the a.m. environmental conditions
- The minimum clearances indicated in the diagram below must be observed; these are necessary to ensure adequate ventilation for the housing

- HygroMatik humidifiers are not suitable for direct outdoor installation
- The steam humidifier should be installed as close as possible to the steam manifold. Optimal performance is guaranteed only with short lengths of steam and condensate hose
- Hoses must be laid at a consistent 5 - 10% incline to prevent sagging and kinking
- The rear panel of the steam humidifier heats up during operation (to a maximum of 70 °C). Take care that the construction on which the unit is mounted is not made of temperature-sensitive material
  
- Place the steam humidifier so that the unit is easily accessible with sufficient space to perform maintenance
- Protection class IP 20



### 5.1.1 Fitting measures

#### Clearances

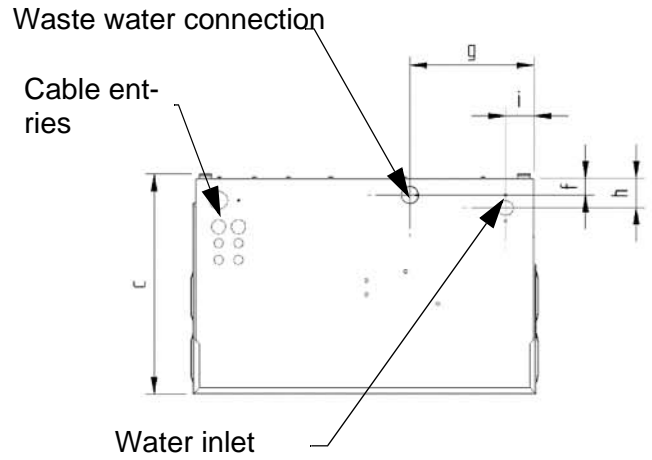


**Please note** When choosing the site for the steam humidifier, consider the location of existing water installations (feed and drain lines).

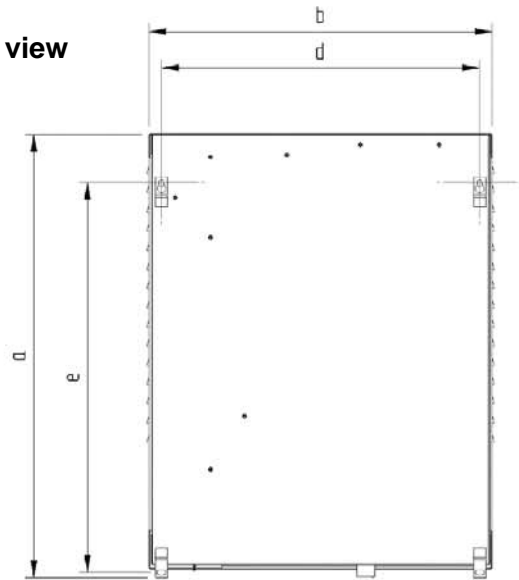
**5.1.2 Equipment Dimensions C01 - C58**

**View from below**

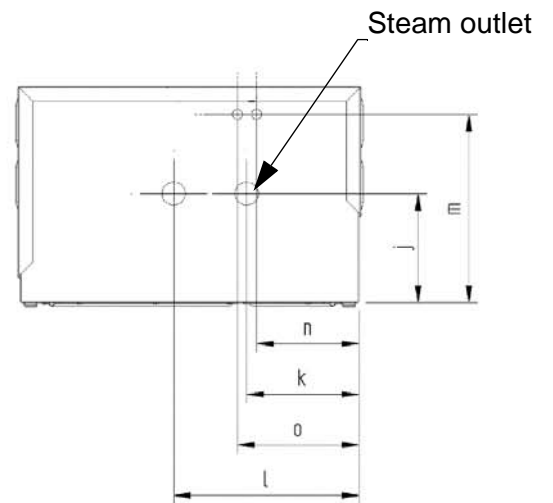
	<b>C01</b>	<b>C02</b>	<b>C06</b>	<b>C10</b>	<b>C17/ C22/ C30</b>	<b>C45</b>	<b>C58</b>
a	385	365	436	478	651	707	787
b	355	392	403	415	480	528	615
c	171	221	208	238	308	343	394
d	280	317	351	370	435	483	564
e	293	273	392	434	607	657	739
f	31	30	33	33	33	33	33
g	138	164	164	174	214	254	344
h	45	45	48	48	48	48	48
i	40	40	40	40	40	40	40
j	105	125	127	140	177	190	204
k	105	105	130	130	132	155	200
l	-	-	-	-	-	-	303
m	135	178	170	173	233	273	156
n	105	74	105	78	56	107	183
o	-	-	-	-	-	-	219



**Rear view**



**View from top**



## 5.2 Fan Unit (optional)

**Please note** The fan unit should be positioned in a way that drafts are avoided. In general, a minimum height of 2 m above floor is sufficient. Install the fan unit directly on a wall.

### **▲ WARNING**

#### **Risk of skin burning or scalding!**

During operation and some time afterwards the steam nozzles are hot. Do not touch!

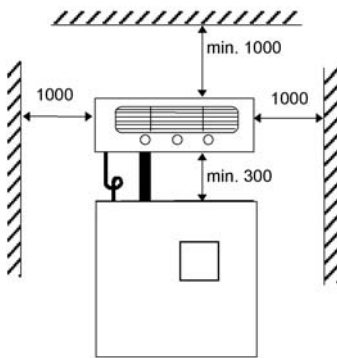
During operation hot steam discharges from the nozzles. Avoid any contact in the field of the visible steam cloud!

Due to improper installation or contamination hot water may drip from the steam nozzles. Do not reside within the area directly under the nozzles.

### **▲ WARNING**

#### **Rotating parts!**

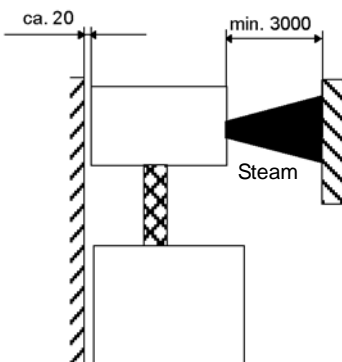
During operation the cross-flow fan rotates. Do not touch! Do not introduce any matter through the fan grid!



### 5.2.1 Fan Unit Type VG

- Install the fan unit above the steam humidifier
- When employing multiple fan units, do not exceed a max. distance of 5 m from the steam humidifier
- Observe the clearances specified in the figures

Wall installation front view  
(all measures in mm)



Wall installation side view

Technical Specifications Fan Unit VG

Fan Unit	VG08	VG17	VG30
Quantity of Steam [kg/h]	8	17	30
Steam Inlet [mm $\phi$ ]	25	25	40
Condensate Outlet [mm $\phi$ ]	14	12	12
Nominal Output [W]	26	35	67
Nominal voltage [V]	220-240		
Dimensions	W [mm]	441	507
	H [mm]	171	171
	D [mm]	180	237
Weight [kg]	3,6	6	7
Sound Level (1m distance to the source of noise) [dB(A)]	52	54	57

### 5.3 Absorption Distance $B_N$

The "absorption distance" ( $B_N$ ) is defined as the distance from the steam feed to where the steam is completely absorbed in the treated air. Within the absorption distance, steam is visible as mist in the air stream.

Condensation may occur on anything installed within the absorption distance.

Although steam outside the absorption distance ( $B_N$ ) is completely absorbed, it is not yet evenly diffused in the duct. If you plan to install any parts or devices inside the absorption distance, such as sensors or elbows, we recommend increasing the absorption distance using the formulae below. The absorption distances required for certain installed fittings are distinguished by separate symbols and calculated as a multiplier of the absorption distance  $B_N$ .

Absorption Distance	
$B_N$	for normal obstructions, such as sensors, ventilators, outlets
$B_C = (1,5...2) \times B_N$	for fine filters, heat registers
$B_S = (2,5...3) \times B_N$	for particle filters
$B_D = (3...5) \times B_N$	for humidity sensors, duct humidistats

The absorption distance has no fixed value, but depends on many factors. These are depicted in the absorption distance nomogram below.

#### 5.3.1 Determining the Absorption Distance

To determine the absorption distance, the following parameters are required:

- Air humidity before humidification  $x_1$  in g/kg.
- Air temperature after humidification  $t_2$  in °C (with steam humidifiers the change in air temperature due to humidification may be disregarded  $t_1$  or  $t_2$ ).
- Specific increase in humidity  $\Delta x$  in g/kg (can be determined in the h,x diagram)
- quantity of steam introduced  $\overset{o}{m}_D$  in kg/h.
- air speed  $w_L$  in m/s in air duct
- Total length  $l_D$  of the steam manifold installed in the air duct

Length  $l_D$  of the usable steam manifold depends on the dimensions of the air duct. The length of the absorption distance can be reduced by using multiple steam manifolds (also see section on the steam manifold).

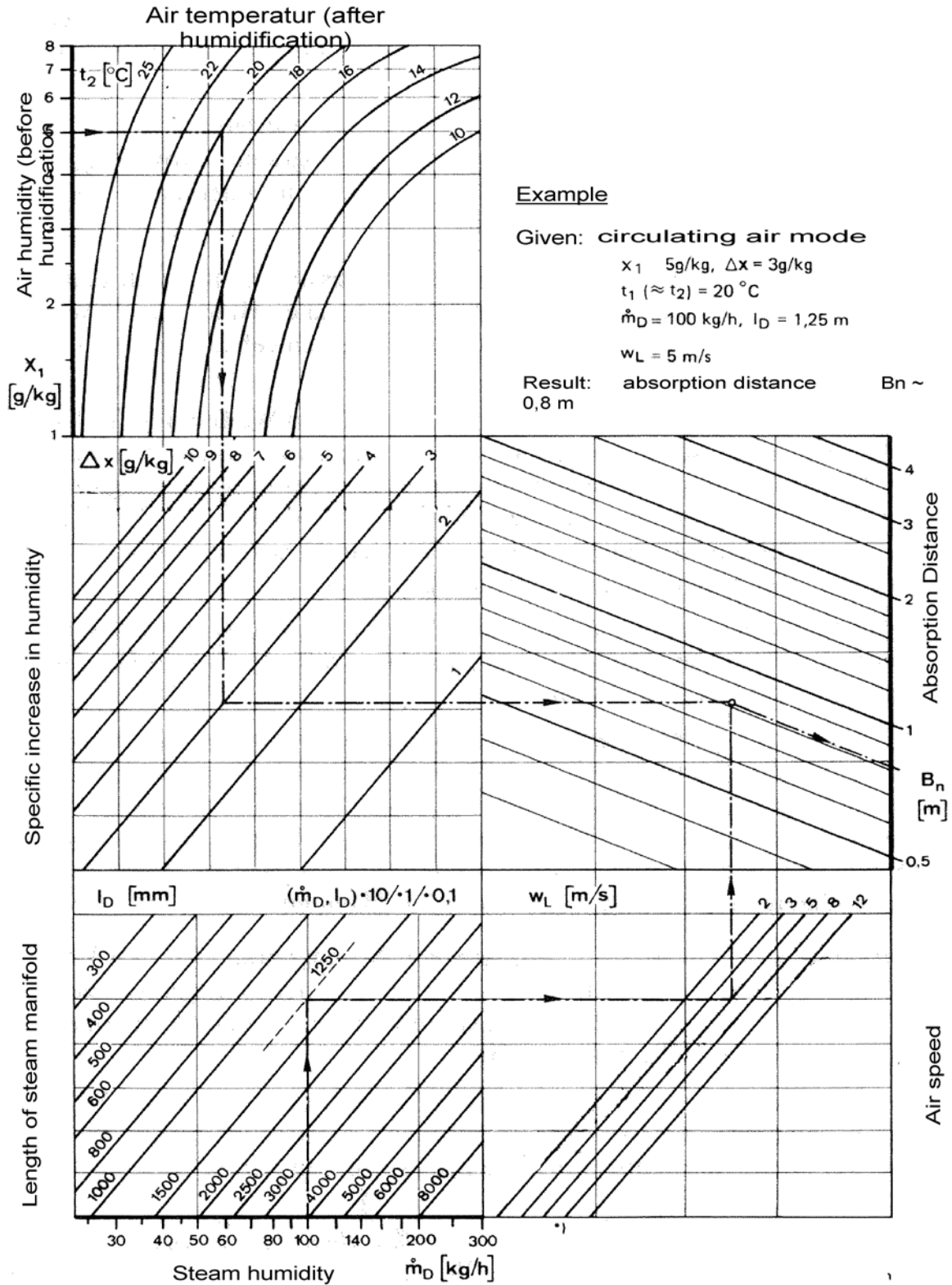
**Method:**

Graphically determine absorption distance  $B_N$  using the absorption distance nomogram (also see Section „Absorption Distance Nomogramm“). Enter the value of the parameters enumerated above into the respective quadrants. The resulting point of intersection indicates the value of the desired absorption distance  $B_N$ .

**Notes:**

- Air humidity before humidification  $x_1$ : \_\_\_\_\_ [g/kg]
- Air temperature after humidification  $t_2$ : \_\_\_\_\_ [°C]
- Specific increase in humidity  $\Delta x$ : \_\_\_\_\_ [g/kg]
- quantity of steam introduced  $m_D^o$ : \_\_\_\_\_ [kg/h]
- air speed  $w_L$ : \_\_\_\_\_ [m/s]
- Total length of the steam manifold  $l_D$ : \_\_\_\_\_ [mm]

### 5.3.2 Absorption Distance Nomogram



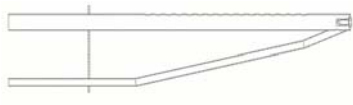
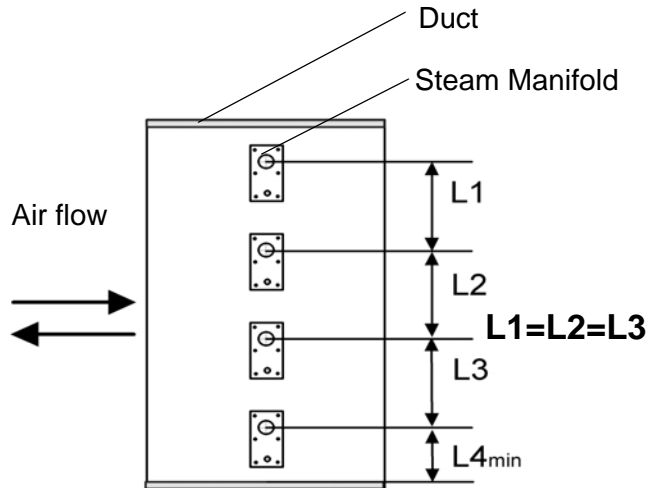
Source: Henne, Erich: Luftbefeuchtung (Air Humidification), 3<sup>rd</sup> Edition 1984 (Page 101), Oldenbourg Industrieverlag, Munich

## 5.4 Steam Manifold

### 5.4.1 Notes on Installation

#### Horizontal installation of steam manifold

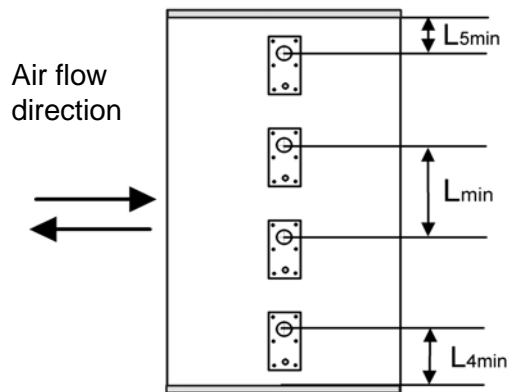
These notes are based on a homogeneous Standard steam manifold installation:



Steam Manifold

An even distribution of steam manifolds ensures a uniform steam distribution.

Please use the total height of the duct!

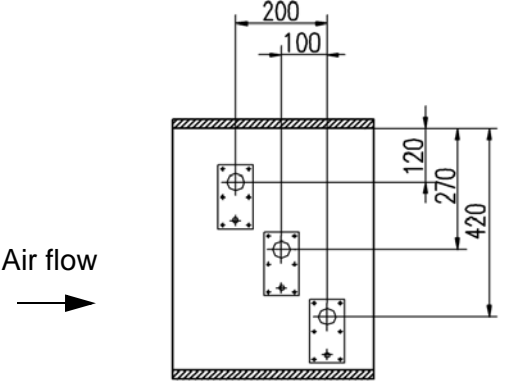
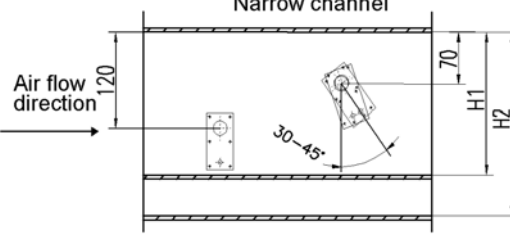


Minimum distances in order to avoid condensation:

**L<sub>min</sub> = 210mm:** distance „ steam manifold - next steam manifold“

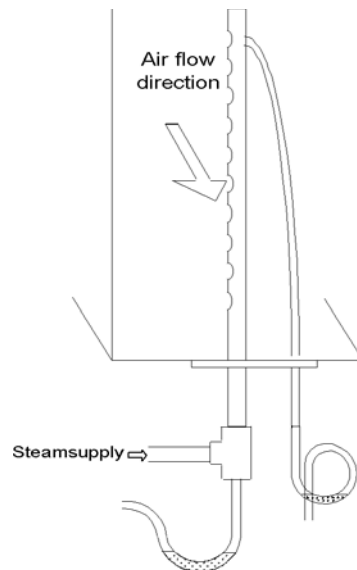
**L<sub>4min</sub> = 120mm:** distance „lowest steam manifold - duct bottom“

**L<sub>5min</sub> = 120mm:** distance „highest steam manifold - duct ceiling“  
Installations depending on special designs of air ducts

Air duct	Positioning of steam manifolds	Sample
flat	Staggered vertically and laterally	
very flat	By tilting the steam manifold 30 - 45° towards the air flow direction, the minimum upper clearance can be reduced to 70mm.  min. distances: H1[mm]      H2[mm] 30°      45° DN25            182    168    225 DN40            193    179    230	very flat duct 
narrow, high	Identical lengths one on top of the other. Staggered laterally if possible.	
square	Identical lengths, staggered vertically and laterally	
low, very wide	facing each other	

**Vertical installation of steam manifold**

Steam manifold placement:



Horizontal installation of the steam manifolds is preferred. However, installation from below into the air duct is possible.



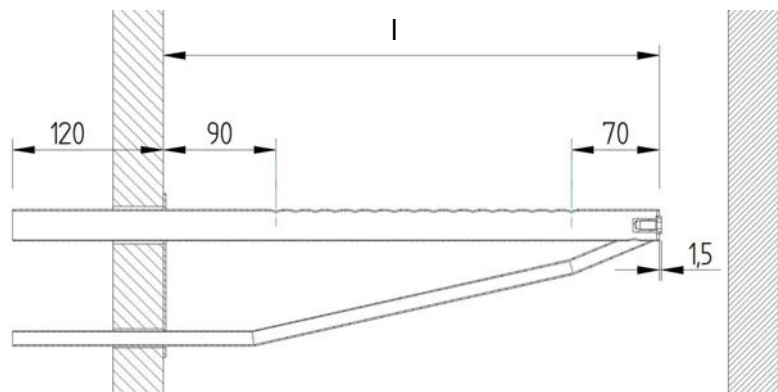
**Please note**

- Install the steam manifold horizontal with it ensure a clean steam out.
- Maximum allowable pressure in the air duct is 1200 Pa. For Hy05 and Hy08 the maximum allowable pressure is 1000 Pa.
- On the return side, the maximum allowable negative air pressure is 500 Pa. Placement of the steam manifold on the supply side of the air duct is preferred.
- With high-pressure air-conditioning systems, the unit's drain hose system must be modified depending on the over pressure. When this is the case please consult HygroMatik.
- Install the steam manifold as close as possible to the steam humidifier in order to minimize steam loss through condensation.
- Shown installation and position dimensions are based on experimental values. Special environmental conditions could require adjustments.
- Install a water drain within the absorption distance inside the air duct. For steam bath applications: Install the steam manifold safe from contact with people in order to prevent injuries or burns. Do not install the steam manifold near a temperature sensor or inaccurate readings may result. Air flow rates over 3m/s can possibly lead to condensate drainage problems at the steam manifolds which may require adaptation measures.

**Length of steam manifold [mm]\*:**

I	220	400	600	900	1200	1450
DN25	x	x	x	x	x	x
DN40	x	x	x	x	x	x

\* special lenght on request



installed steam manifold

The number and size of appropriate steam manifolds, as well as the nominal width of their respective steam and condensate hoses, are found in the tables below.

### HyLine:

Type	Steam Manifold	Steam Hose	Condensate hose
HY05-HY17	1xDN25	DN25	DN12
HY05DS - HY17DS (for SPA)	1xDN40	DN40	DN12
HY23-HY30	1xDN40	DN40	DN12
HY45-HY60	2xDN40	2xDN40	2xDN12
HY90-HY116	4xDN40	4xDN40	4xDN12

### CompactLine:

Type	Steam Manifold	Steam Hose	Condensate Hose
C01-C06	1xDN25	DN25	DN09
C06-C17	1xDN25	DN25	DN12
C10-DS, C17DS (for SPA)	1xDN40	DN40	DN12
C22, C30	1xDN40	DN40	DN12
C45**	2xDN40	DN40	DN12
C58	2xDN40	2xDN40	2xDN12

### HeaterCompact/Kit:

Type	Steam Manifold	Steam Hose	Condensate Hose
HC02/Kit	1 xDN25	DN25	DN12
HC03-12*	1xDN25	DN25	DN12
HC03-12/Kit	1xDN40	DN40	DN12
HC16-27/Kit	1xDN40	DN40	DN12
HC3-27 (for SPA)	1xDN40	DN40	DN12

### HeaterLine:

Type	Steam Manifold	Steam Hose	Condensate Hose
HL 6-12 *	1xDN25	DN25	DN12
HL 6-12 (for SPA)	1xDN40	DN40	DN12
HL 18-30	1xDN40	DN40	DN12
HL 36-45 **	2xDN40	1xDN40	1xDN12
HL 60-90 ***	2x(2xDN40)	2x(1xDN40)	2x(1xDN12)

### CompactLineKit:

Type	Steam Manifold	Steam Hose	Condensate Hose
C01 Kit - C06 Kit	1x25	DN25	DN9
C10 Kit - C17 Kit	1x25	DN25	DN12
C22 Kit / C30 Kit	1x40	DN40	DN12
C45 Kit	2x40	DN40	DN12

\* For units HL 6 - 12 and HC3-12 HygroMatik delivers one adapter DN40 / 25 (but not for SPA applications).\*\* For units HL 36 - 45 HygroMatik delivers one t-connector for separating the steam on two steam manifolds.

\*\*\*HI 60.-90 are double units and consist of HI 30-45 units.

## 5.5 Steam Line

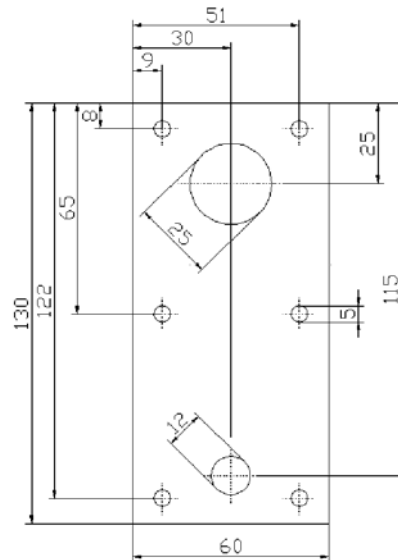
**Please note** When installing the steam hose, please pay attention to the following:

- Because of the high requirements on hose material under the operating conditions given, it is recommended to use genuine HygroMatik hoses only
- The steam hose diameter may not be smaller than the steam outlet of the HygroMatik steam humidifier (do not restrict the cross-section, otherwise back pressure will increase)
- The steam hose must be without sags and kinks and be laid with a continuous slope of 5-10% (otherwise sags will be formed)
- The steam hose should be as short as possible
- Run steam pipe lengths over 5m as hard piping
- The hose clamp for fixing the steam hose on the steam hose adapter should not be tightened too hard since the steam hose adapter is made of plastic
- In the case that steam output is distributed on two steam manifolds, the Y-pieces for the steam and condensate hose should be installed near the manifolds. If the installation is carried out in this way, since only one steam hose is necessary for the main part, loss of condensate will be decreased. In deviation of this the y-piece that is delivered ex works with a humidifier type C45, HL36, HL45 should be installed near the humidifier
- Depending on how the hose is laid, hose clips should be set at intervals of approx. 500 mm
- Allow easy access to the steam hose, so that it can be inspected later. In case of straight lengths of several meters, it is recommended to lay the steam hose in temperature resistant plastic pipe (40 mm dia for hose DN25; 60 mm dia for hose DN40) or to use copper pipe
- Device output, steam line installation, and the duct itself all influence pressure condition in the duct. Such, in a particular situation, this could mean that optimisation of the steam line installation will be required
- Allow for minimum bending radii:  
Steam hose DN25:  $R_{min} = 200 \text{ mm}$   
Steam hose DN40:  $R_{min} = 400 \text{ mm}$   
Steam hose DN 40:  $R_{min} = 400 \text{ mm}$

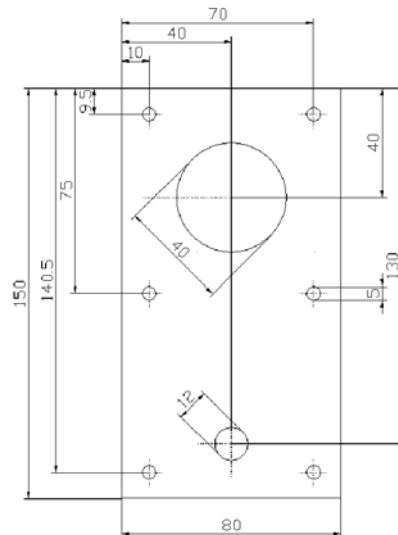
## 5.6 Cover Plate

HygroMatik flange plates may be used to neatly complete installation of the steam humidifier in the air duct.

Two-piece flange plates are available for the DN25 and DN40 steam manifolds.



flange plate DN25 E-2604260



flange plate DN40 E-2604410

## 5.7 Condensate Hose

**NOTICE**

To keep condensate from accumulating in the duct, ensure that the condensate drains freely.

---

**If the steam manifold is positioned higher than 500 mm above the steam humidifier:**

- » Bore up the connection stub on the upper steam cylinder part (Diameter: 8mm; for units type C01 and C06: 5mm).
- » Lay the condensate hose at an approximate incline of 5-10% to the steam cylinder connection fitting, to allow the condensate to drain freely.

**Please note**

It is recommended to form a loop of 200 mm diameter as a vapour trap provided there is enough space. Possible operating noises can be reduced in this manner. The loop should be filled with water before commissioning.

**If the steam manifold is positioned lower than 500 mm above the steam humidifier:**

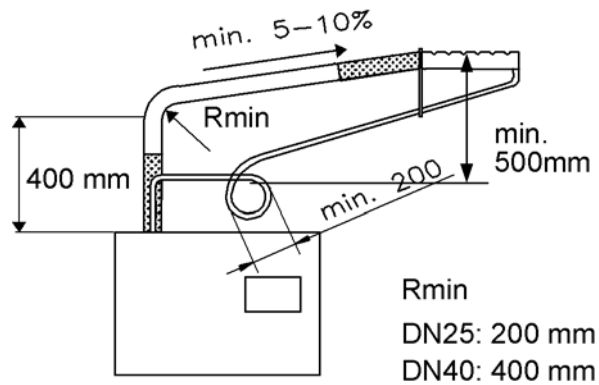
- » The condensate must be drained separately.
- » To prevent steam loss, lay a loop at least 200 mm in diameter. The loop should be filled with water before commissioning.
- » To ensure condensate drainage, place the loop (vapor trap) as far away as possible below the steam manifold connection.
- » The condensate connection on the steam cylinder must be closed with a sealing cap.
- » Place hose clamps at intervals of at least 500 mm, depending on how the hose is laid.

## 5.8 Types of Installation

**If the steam manifold is positioned higher than 500 mm above the steam humidifier:**

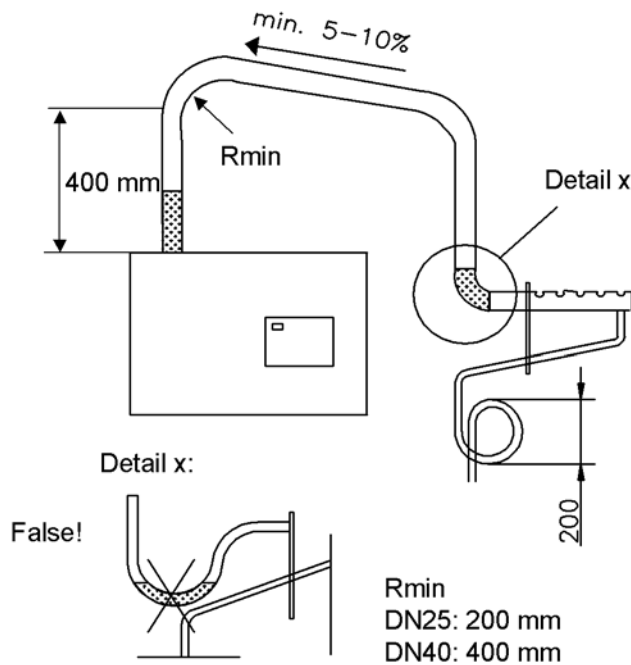
- » Lay the steam hose at a height of at least 400 mm above unit and then connect to the steam manifold with a constant rise or fall.
- » Lay condensate hose with a slope to the steam cylinder.

- » If enough space is available, lay a loop as a vapor trap. The steam manifold must be at least 500 mm from the loop.



**If the steam manifold is positioned lower than 500 mm above the steam humidifier:**

- » Lay steam hose at a height of at least 400 mm above unit and then connect to the steam manifold with a constant fall.
- » Lay condensate hose with a loop of 200 mm diameter (vapour trap) to the drain. The distance between vapour trap and steam manifold should have at least 500mm.

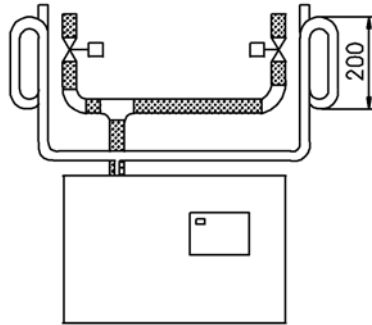


- » Lay the loop of condensate hose 200 mm directly above the drain. Detail x

## 5.9 Steam Solenoid Valves

When humidifying a number of loads, which are to be controlled separately, using a single steam humidifier, steam solenoid valves can be included in the steam hoses. Valve control has to be provided by the customer.

- Install the vertical risers with flow from bottom to top
- The best position is just above the steam humidifier



Steam solenoid valve installation principle

## 5.10 Unit Installation Check

**⚠ WARNING**

**Improper unit handling hazard!** This unit may only be brought into operation by qualified personnel.

Before start-up, please check proper unit installation following the list below:

- Is the unit perpendicularly aligned in both the vertical and horizontal axis?
- Have all clearances been obeyed?
- Does steam hose have a slope of 5-10%?
- Is condensate hose installed with a loop of min. 200 mm?
- Is steam manifold positioned correctly?
- Are all bolts and clamps tightened?

## 6. Water Installation

### **⚠ WARNING**

#### **Risk of scalding!**

Very hot water on the humidifier drain side!

Have all work performed by professional staff to avoid risk of scalding by inadequate water flow.

---

### **⚠ WARNING**

#### **Risk of electrical shock!**

Hazardous electrical high voltage!

Before starting installation work ensure yourself that the unit is not connected to the power grid.

---

#### **General rules**

- Obey local public utility regulations
- Verify that necessary safety measures have been taken – in compliance with either German Technical and Scientific Association for Gas and Water (DVGW) guidelines (DIN EN1717) or local regulations – to eliminate backflow of polluted water into drinking water treatment facilities. This may require the installation of a system separator and free discharge into the drainage system. Within the humidifier, a double check valve (58) is located in the water supply line. It prevents - in accordance with DIN EN 61770 - the backflow of water. Alternatively, units are available that feature the DVGW-conform HyFlow system separator making further safety measures obsolete
- Use feed water without chemical additives and with a conductivity between 200 and 800  $\mu\text{S}/\text{cm}$  only. Beyond conductivity levels of 800 $\mu\text{S}/\text{cm}$  up to a maximum of 1250 $\mu\text{S}/\text{cm}$  and below conductivity levels of 200 $\mu\text{S}/\text{cm}$  to a minimum of 125 $\mu\text{S}/\text{cm}$ , special adjustments are required. In this case please contact your specialist-dealer
- Supply water temperature must not exceed 40° C.
- Allowable range of water pressure: 1 - 10 bar (100 x 10<sup>3</sup> to 100 x 10<sup>4</sup> pascal)
- Blow-down water must be able to drain



## 6.1 Operation with Softened Water

**NOTICE**

**Do not use softened water unless special measures are taken!**

When feeding softened water into the HygroMatik steam humidifier, the aspects outlined below must be taken into account.

---

Softened water may cause

- unacceptably high conductivity
- the formation of salt bridges between the electrodes and the electrode leads on the inner surface of the top part of the steam cylinder
- foaming in the steam cylinder

Salt bridges cause electrical arcs. These are indicated by the presence of black grooves in the top part of the cylinder. The cylinder part must then be replaced to prevent further damage to the cylinder material, as well as short circuits which trip main circuit breakers.

Foam comes into contact with the maximum water level sensor electrode and triggers a signal indicating the cylinder is filled to capacity, even though this is false and the nominal current has

## 6.2 Water Supply

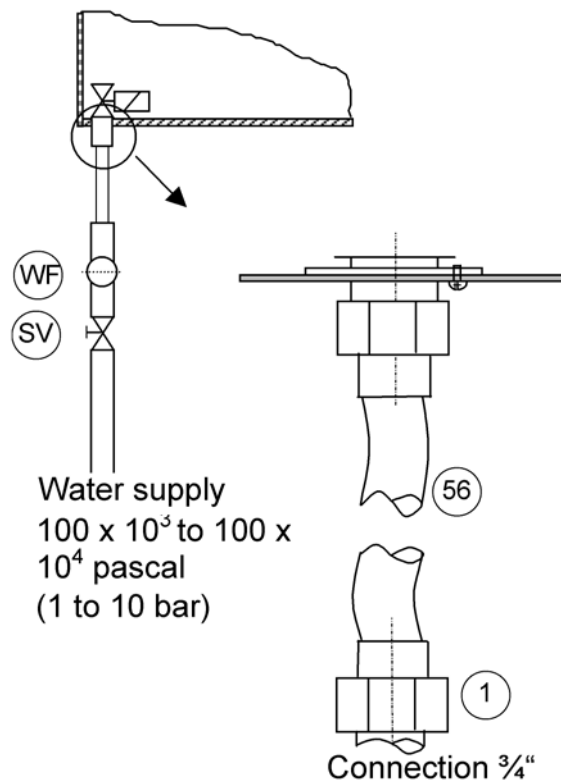
### **NOTICE**

**Foreign material in water supply pipe may cause premature damage to the solenoid valve!**

Flush the water supply pipe before making connection to the solenoid valve. This is of particular importance in case of a newly installed pipe.

**Please note** In case of no safety device for drinking water protection according to DIN EN 1717 present in the house installation system, a system separator at least of the CA type is mandatory. Alternatively, a humidifier special model featuring the HyFlow provision may be used.

- » Install a shut-off valve (SV) in the supply line.
- » Install a water filter (WF) if necessary.



**Please note** Shut-off valve (SV) and water filter (WF) are not supplied with the unit HygroMatik provides a water hose (56) with a cap nut at both ends which can be used for water installation.

- » Check presence of solenoid valve strainer (29) and insert strainer, if not yet in place.
- » Screw one of the cap nuts with its inner seal ring onto the connection stud protruding from the humidifier housing and tighten.

**NOTICE**

**Do not overtighten the cap nut!**  
Excessive tightening will destroy the fitting.

- » Screw the other hose end cap nut with its inner seal on a customer-provided water tap (cup nut internal thread is  $\frac{3}{4}$ " ).

### 6.3 Water discharge

**⚠ WARNING**

**Risk of scalding!**

During blow down up to 0.3 l/sec are being drained with a temperature of about 95° C.

Wastewater must drain freely and pressureless.

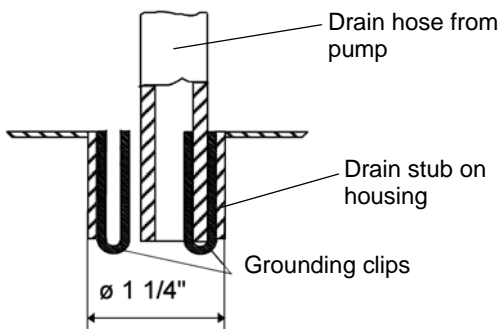
Avoid contact in order not to burn skin.

**Please note** With the optional wastewater cooling system **HyCool**, HygroMatic offers an option for limiting the wastewater temperature of the steam humidifier in order to protect thermosensitive wastewater pipe lines. By blending with cold water during the blow-down and rinse process, it is ensured that the wastewater always has a temperature below 60°C.

**Please note** Humidifier installation location and wastewater discharge must be on the same pressure level.

Install water discharge as follows (use of a flexible water drain-hose is recommended:

- » Do not buckle the drain hose.
- » Install discharge line and drain pipe made from temperature resistant material (up to 95° C).
- » Run a 1 1/4 " drain hose of 250 - 1000 mm length into a pressure-free outlet and according to DIN EN 1717. The hose must be guided sideways of the humidifier to prevent ascending vapor from condensating on the humidifier`s housing.
- » Fit water drain hose over the pump drain hose and fasten to the housing drain connection.



Two grounding clips are attached to the inner surface of the housing drain stub. The end of the pump drain hose is pushed into one of these clips. The overflow hose of the HyFlow system separator - if present - is pushed into the other clip. During blow-down, the grounding clip is in direct contact with water and shunts potential residual electric currents away from the housing.

There is a 3mm-wide crack between the pump drain hose jacket and the inner surface of the housing drain connection. If water collects on the base plate, it will flow through this crack into the floor drain.

## 6.4 HyFlow Provision (Special Model)



As special models, HygroMatik humidifiers are available featuring the HyFlow system separator made of plastic (DVGW CERT AS-0625CP0094 for HyLine and DVWG CERT AS-0625CP0095 for C-Line).

The functions of the HyFlow cup are:

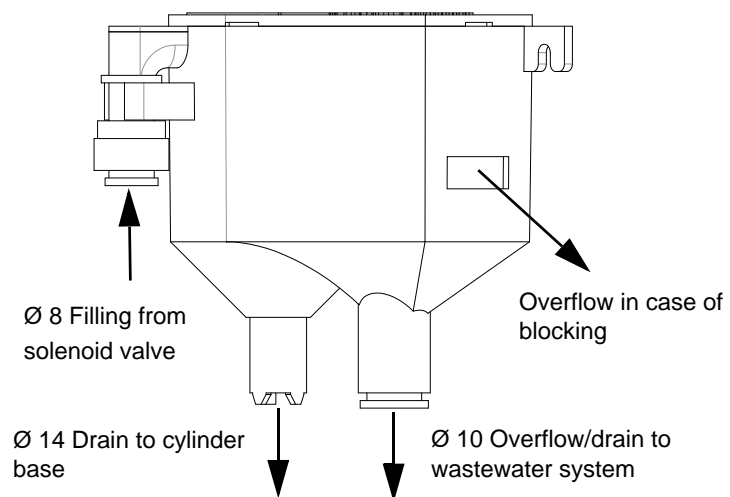
- cylinder filling
- separation of feed water supply and cylinder water , according to DIN EN 1717
- overflow protection in case of cylinder intake blocking

### Cylinder filling

When the solenoid valve opens, water flows through the HyFlow cup into the cylinder base. The cylinder is filled by the static pressure of the water column.

### Overflow protection

If the water level in the HyFlow cup gets too high, water flows over a partition panel into the draining system. In the unlikely case of both the cylinder intake and the drain being blocked, the water flows out through the overflow breakout and leaves the device through the wastewater hose. Contamination of the drinking water is thus excluded.



## 6.5 Water Installation Check

Go down the following water installation checklist:

- Are all screws and clamps properly tightened?
- Is the water supply pipe flushed?
- Was the water installation correctly installed?
- Can the blow-down water drain freely?
- Was the water discharge correctly installed?
- Is there no leakage from the water supply pipe and water discharge?

## 7. Electrical Connection

### **⚠ WARNING**

#### **Risk of electrical shock!**

Hazardous high voltage!

All work related to electrical installation to be performed by authorized personnel only (electricians or professionals with equivalent training).

---

### **Please note**

The customer is responsible for checking qualifications.

---

**Do not connect the steam humidifier to the live power grid before all installation work has been completed!**

#### **General installation rules**

- All wiring must confirm to CEC, NEC and local electrical codes.
- Install the electrical connections according to the wiring diagram.
- Only a permanent connection to permanent wiring is allowable (UL998 CSA Std 222.2).
- Electric connector cables to be laid professionally

### **NOTICE**

#### **Take care of ESD protection!**

The electronic components of the humidifier control are very sensitive to electrostatic discharges. In order to protect these components during any type of installation, steps must be taken to guard against damage from electrostatic discharge.

---

### 7.1 Electrical Installation

- » Fuses must have a contact gap of at least 3mm per pole.
- » Install a separate main connection for each steam cylinder, complete with main contactor, main switch, etc.
- » Connect potential equalization to the outer ground bolt.
- » Observe VDE 0100 when selecting wire cross-sections.
- » Verify that all terminals have been tightened

## Power supply connections

Make connections as shown in the table:

Type	Standard Main Power Supply
HY05 - HY45	1 x 400V/3Phase/N
HY60 - HY116	2 x 400V/3Phase/N
C01, C02	1 x 230V/1Phase/N
C06 - C58	1 x 400V/3Phase/N
MS5, MS10	1 x 400V/3Phase/N
MS5	1 x 230V/1Phase/N
C01Kit, C02Kit	1 x 230V/1Phase
C06Kit - C45Kit	1 x 400V/3Phase/N

Other voltages are available on request.

## Fusing

We recommend employing medium blow main fuses (applicable only to the grid voltages indicated in the table below). The tables below show power usage and the circuit protection required for the various HygroMatik humidifier models. When using fault current circuit breakers pls. use a dedicated current circuit breaker for the humidifier.

### HyLine:

Type	Power Usage	Circuit Protection*)
HY05	5,4 A	3 x 6A
HY08	8,7 A	3 x 10A
HY13	14,1 A	3 x 16 A
HY17	18,4 A	3 x 20 A
HY23	24,9 A	3 x 35 A
HY30	32,5 A	3 x 35 A
HY45	48,8 A	3 x 63 A
HY60	2 x 32,5 A	6 x 35 A
HY90	2 x 48,8 A	6 x 63 A
HY116	2 x 62,8 A	6 x 63 A

### CompactLine:

Type	Power Usage	Circuit Protection*)
C01	3,3A	1 x 6A
C02	6,5A	1 x 10A
C06	6,5 A	3 x 10 A
C10	10,8 A	3 x 16 A
C17	18,4 A	3 x 20 A
C22	23,8	3 x 35 A
C30	32,5 A	3 x 35 A
C45	48,8 A	3 x 63 A
C58	62,8 A	3 x 63 A



**MiniSteam:**

Type	Power Usage	Circuit Protection*)
MS5, 230V/1/N	15,7 A	1 x 16 A
MS5, 400V/3/N	5,4 A	3 x 6 A
MS10, 400V/3/N	10,8 A	3 x 16 A

**CompactLine KIT:**

Type	Power Usage	Circuit Protection*)
C01KIT, 230V/1/N	3,3 A	1 x 6 A
C02KIT, 230V/1/N	6,5 A	1 x 10 A
C06KIT, 400V/3/N	6,5 A	3 x 10 A
C10KIT, 400V/3/N	10,8 A	3 x 16 A
C17 KIT, 400V/3/N	18,4 A	3 x 25 A
C30KIT, 400V/3/N	32,5 A	3 x 35 A
C45KIT, 400V/3/N	48,8 A	3 x 63 A

**Please note**

\*) After full blow down, power input is 1.3 times higher than in normal operation. The circuit protection recommended takes this into account. However, should problems arise when using expulsion fuses close to their specific limit, it is recommended to employ fuses with a higher range.

## 7.2 Cable Connections

The table below shows the number and size of the cable connections provided in the various electrode steam humidifiers:

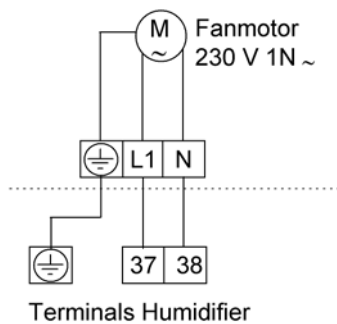
Unit type	Connection M16	Connection M25	Connection M32
HY05, HY08	4	3	-
HY13, HY17, HY23, HY30, Hy45	4	2	1
HY60, HY90, HY116	-	4	2
C01, C02	3	2	-
C6	3	2	-
C10	3	3	-
C17, C22, C30	4	3	-
C45, C58	4	2	1
MS05, MS10	-	2	-

Characteristics of metric cable connections:

Thread	across-flats dimensions [mm]	for cable diameter [mm]
M16x1,5	19	4,5 - 10
M25x1,5	30	9 - 17
M32x1,5	36	11 - 21

### 7.3 Fan Unit

- » Connect fan unit according to the wiring diagram.



The fan unit operates in parallel with the humidifier.

**Please note** Terminals 37 and 38 are only installed if the option „fan unit“ is ordered.

## 7.4 Safety Interlock

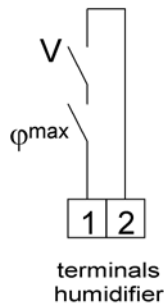
**Please note**

Install contact interlocks, i.e. a max. hygrostat, vane relay, pressure controllers, air interlock devices, etc. in series across terminals 1 and 2.

**NOTICE**

**Use max.-hygrostat for protection!**

A max-hygrostat should be installed in the safety interlock. The max-hygrostat acts as a safety device in case the humidity sensor malfunctions.



**NOTICE**

**Contacts across terminals 1 and 2 must be potential-free and properly rated!**

Rating must comply with the control voltage in use (24 VAC or 208-240 VAC, see technical data on the unit's name plate).

## 7.5 Wiring Diagram

Please remove the wiring diagram from the technical manual supplied with the control used with your humidifier. Every steam humidifier comes with one technical manual for the unit and one for the control.

## 7.6 Electrical Installation Checklist

Perform electrical installation checks in compliance with customer site requirements and public power utility regulations:

- Is the power grid voltage compatible with the voltage on the name plate?
- Have all electrical connections been made according to the terminal connection diagram?
- Have all electrical cable and plug connections been properly tightened?
- Are all electrical socket connections secure?
- Is the unit grounded?

On the successful completion of all of the checks the unit is ready for switching on.

**⚠ WARNING**

**Ensure proper grounding of unit cover!**

The unit cover must be in place and the lock must be engaged (applies only to humidifier types HyLine and MiniSteam).

## 8. Commissioning

### **⚠ WARNING**

#### **Start-up of the unit is restricted to qualified personnel only!**

Only trained and qualified people that have read and fully understood this operating manual and the safety instructions included may put the steam humidifier into operation.

---

### **⚠ CAUTION**

#### **Steam generator switch-off procedure must be well known!**

Before starting-up the unit the position and handling of all controls involved in switching-off the unit must be identified and familiarized with.

---

#### **Please note**

#### **How to switch off the steam generator:**

- » Switch off the unit by means of the control switch on the front panel.
- » Close the water supply stopcock.

#### **Step 1: Check of mechanical integrity**

- » Check cylinder seating
- » Check steam and condensate hose clamps.

#### **Step 2: Check of electrical wire connections**

- » Check that all electrical wire connections, including heater element wire connections, are tight and secure.

#### **Step 3: Switching on the steam humidifier**

- » Switch on main breaker.
- » Open water supply stopcock (operating pressure should be 1bar min., 10bar max./14.5 psi min., 145 psi max.).
- » Switch on unit by setting control switch to "I".
- » For initial operation check, set control unit in a way that a humidity demand results.

#### **Step 4: The unit performs a self-test**

- If the control includes a display, the message "self-test" is displayed.

**Please note** For the next steps, control must be set in a way that permanent steam demand is requested.

**Step 5: Normal operation starts**

- the water solenoid valve opens and feeds water into the steam cylinder
- Initiation of steam production may take up to 20 minutes.
- » Let all electrically-driven operations run to completion. As soon as the solenoid valve begins replenishing the water periodically, the steam humidifier operates at steady nominal output and the cold start sequence is complete.

**Step 6: Monitor unit for leaks**

- » Let unit operate for 15 to 30 minutes.
- » If leaks appear, switch off the unit.

**⚠ WARNING****Risk of electrical shock by hazardous voltage!**

Follow safety instructions for work on live components.

---

**Step 7: Repair leaks**

- » Repair leaks
- Check again

## 9. Maintenance

The HygroMatik steam humidifier is easy to maintain. However, inadequate or improper maintenance can lead to operational malfunctions. Perform regular maintenance to give your unit a long life span.

### **▲ WARNING**

#### **The unit is only to be serviced by qualified personnel!**

All safety instructions must be observed.

After maintenance work, have qualified personnel check that the unit is operating safely.

---

### **▲ WARNING**

#### **Risk of electrical shock by hazardous voltage!**

Switch off the unit before maintenance and protect against restart.

---

### **NOTICE**

#### **Take care of ESD protection!**

The electronic components of the humidifier control are very sensitive to electrostatic discharges. In order to protect these components during maintenance, steps must be taken to guard against damage from electrostatic discharge.

---

The steam humidifier's performance and maintenance intervals primarily depend on water quality (carbonate hardness, conductivity) and the quantity of steam produced since the last maintenance. Abnormal water quality can shorten or lengthen maintenance intervals. Ongoing maintenance intervals can be estimated based on the amount and type of residue found in the steam cylinder.

Cylinder maintenance is required the latest if the following conditions apply:

<b>Control</b>	<b>Indicator</b>
Basic	Maintenance message: <b>red and green LEDs</b> are blinking: Unit has switched itself off automatically.
Comfort Comfort Plus	<b>Maintenance</b> message on display ( <b>red and green LED</b> are blinking). Unit has switched itself off automatically.

### 9.1 Maintenance Work

Mineral deposits precipitate and crystallize very differently in different types of water, even when two types have the same conductivity and hardness levels (the various constituents in the water interact differently).

Instructions on maintenance and cleaning intervals, or on electrode service life, are based entirely on empirical data. Seals are wearing parts. As such, checking and replacing seals if required is mandatory in the scope of periodical maintenance.

<b>Cycle</b>	<b>Maintenance Work</b>
<b>4 Weeks after initial operation</b> (with normal water quality)	Visual inspection of electrical and mechanical connections Remove mineral deposits from steam cylinder, water drain hose and blow-down pump Check electrodes for erosion
<b>Semiannually</b> (with normal water quality and "normal" operation = 8h/day)	Visual inspection of electrical and mechanical connections Remove mineral deposits from steam cylinder, water drain hose and blow-down pump. Check electrodes for erosion

In most cases, the conductivity levels given in the "Directions for Use" section of this manual may be considered as typical values. Individual parameter settings as part of the control software may be necessary.

In extreme cases, water pretreatment may be necessary (softening by dilution to approx. 4 - 8 °dH; decarbonization/partial desalination to achieve target reductions in carbonate hardness). For any questions with regard to water treatment systems pls. contact HygroMatik.

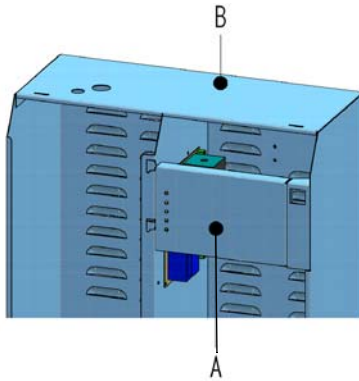


## 9.2 Access to Electrical Enclosure

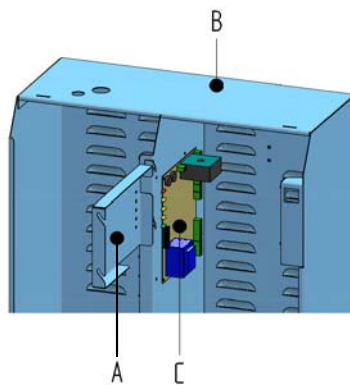
**⚠ WARNING**

**Risk of electrical shock by hazardous voltage!**

Make sure the unit is switched off before installing or removing the display panel.



- » Remove cover from humidifier (B) and lift display panel (A) off guiding.
- » Turn display panel by 90 degrees (see fig. on the left) and attach display panel to the humidifier cabinet by placing the two guide pins in the corresponding slots.
- » The basic PCB (C) is now accessible.



## 9.3 Removing and Cleaning the Steam Cylinder

**⚠ WARNING**

**Risk of skin burning!**

Hot steam cylinder during operation and for some time afterwards.

Drain steam cylinder before any maintenance work is commenced.

Switch off unit and protect against restart.

After that, wait approx. 10 mins before starting maintenance work.

Check steam cylinder temperature by cautious approximation with hand (do not touch!)

**Please note**

After being in use for a long time some mechanical cylinder shrinkage may occur. While this has no effect on the device function, it may cause a problem when only one half of the cylinder is exchanged. Such, it is generally advisable to exchange the complete cylinder.

**▲ CAUTION**

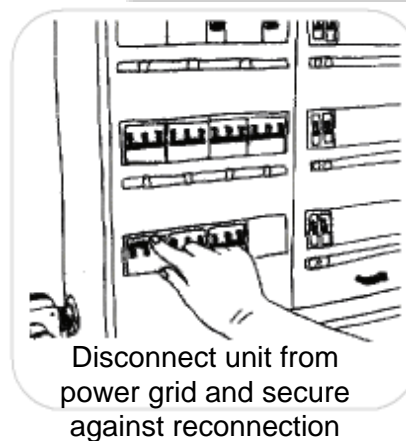
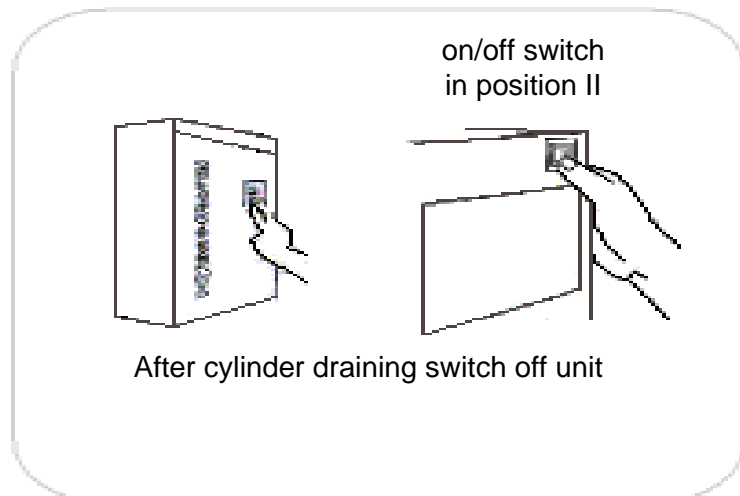
Risk of injuries to the eyes!  
Cylinder clips may jump off due to pretension.  
Wear proper PPE (Personal Protection Equipment)!

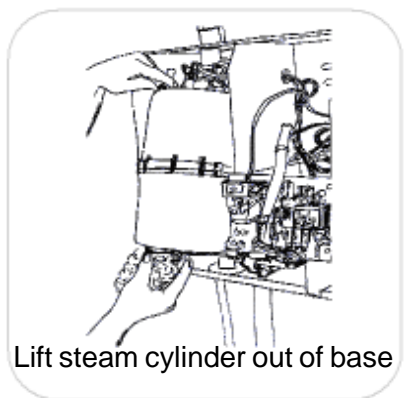
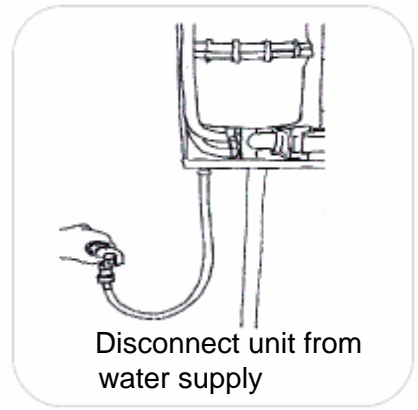
**▲ CAUTION**

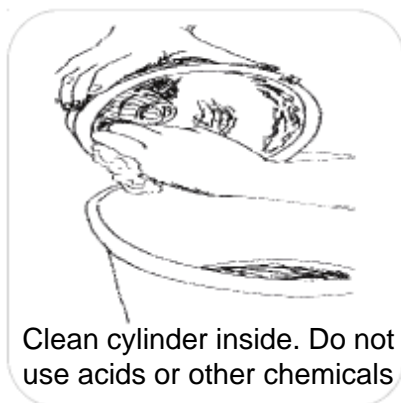
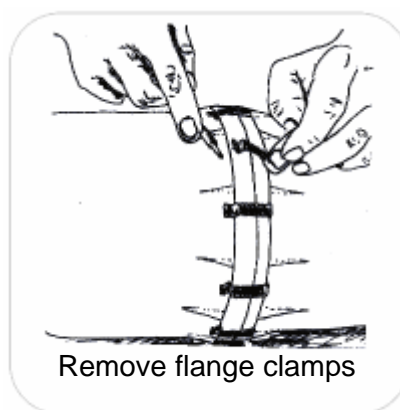
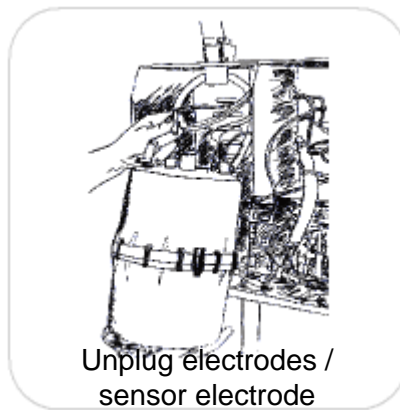
**Risk of cut injuries!**  
Both the clips that fix the steam cylinder halves and the electrodes have sharp edges and angles.  
Wear proper PPE (Personal Protection Equipment)!

**▲ WARNING**

**Risk of electrical shock by hazardous voltage!**  
Disconnect the appliance from power supply before removing cover.





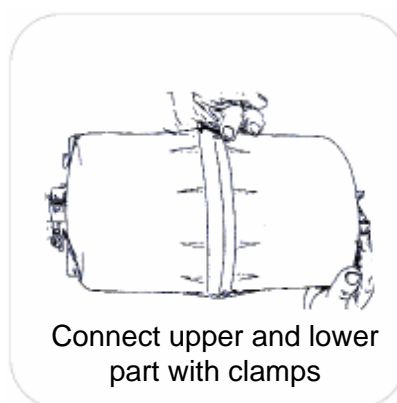


- » Check the inside of the top part of steam cylinder for crust build-up and possible salt bridges (black grooves between the electrode leads). If present, wash away completely.

**Please note**

If electrical arcs have burned deep grooves into the material, the top part of the cylinder (better: the complete cylinder, s. above) must be replaced.

- » Clean the sensor electrode until it is metallically bright.

**Please note**

When re-assembling the cylinder, the joints and reinforcements of both sections must fit together snugly.



- » Before attaching the electrode plugs please make sure that they are free of corrosion.
- » If corrosion is found, replace relevant electrode plug.
- » Connect plugs to the correct electrodes.

**NOTICE****Ensure proper plug seating on electrode!**

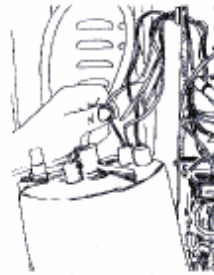
The plug must be pressed down onto the electrode as far as it will go.

**Please note**

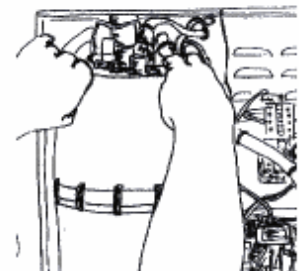
Wiring color corresponds with the color of the knurled nut.

**Please note**

The condensate connection must be showing towards the front on the left hand side.



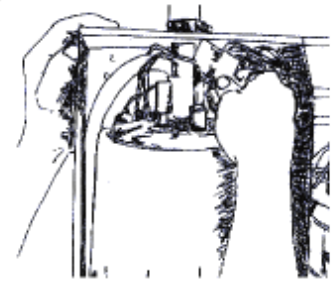
Connect plug to level sensor / electrodes



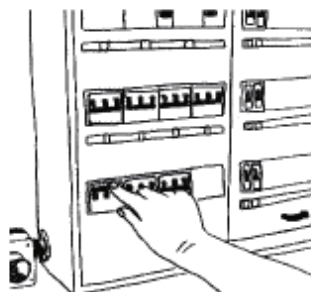
Place cylinder vertically into cylinder base



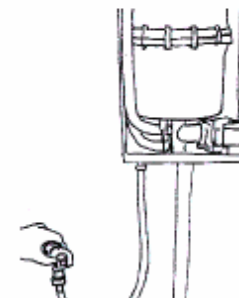
Attach adapter to steam outlet



Hold adapter in place with clip



Reconnect to power grid

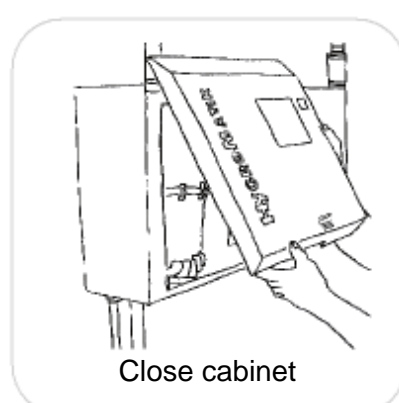


Open water supply

**▲ WARNING****Risk of electrical shock by hazardous high voltage!**

Obey safety instructions for work on live equipment.

- » switch on unit and monitor for leakage during 15-30 minutes of operating.
- » In case of leakage switch of unit and redeem leakage(s).
- » Monitor again; repeat procedure until no more leakages are detected.

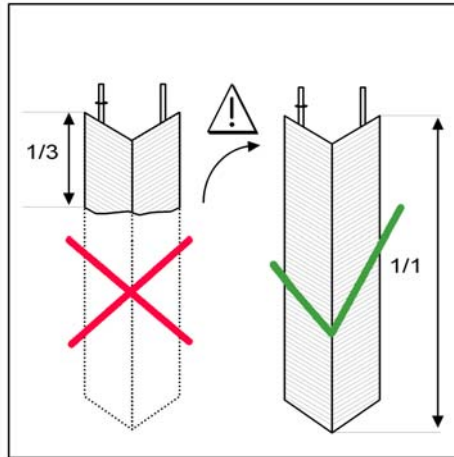
**▲ WARNING**

**Ensure proper unit grounding!** In order for the unit cover to be safely grounded, the cover must be fully closed and the lock must be engaged (this refers only to humidifier types HyLine and MiniSteam).

## 9.4 Electrode wear

Electrode wear depends on:

- feed water composition and conductivity
- the quantity of steam produced



### **NOTICE**

#### **Monitor electrode lengths!**

When the electrodes are less than 1/3 to 1/2 of their original length, they should be replaced. At the latest, the replacement should be carried out when a maintenance message is displayed asking for replacement. This maintenance message will appear after one hour of operation at maximum water level. The humidifier operation will then stop.

### 9.4.1 Original Electrode Lengths

Initial lengths of HygroMatik large area stainless-steel electrodes are as indicated in the tables below.

#### **HyLine:**

Type	HY05-HY08	HY13-HY60	HY90-HY116
Length [mm]	155	235	300
[inch]	6.1	9.25	11.8

#### **CompactLine:**

Type	C6	C10	C17-45	C58
Length [mm]	125	155	235	300
[inch]	4.9	6.1	9.25	11.8

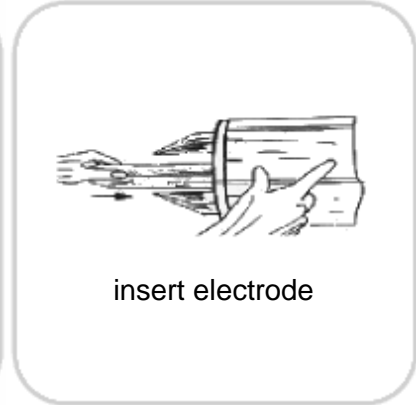
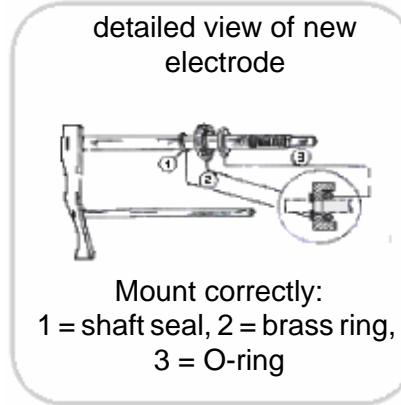
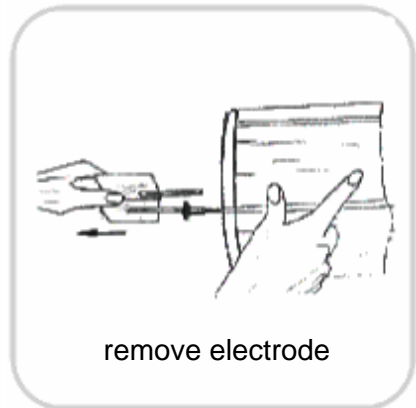


### 9.4.2 Uneven Electrode Wear

In most case, the longer electrode(s) were not supplied with power for a period of time and thus did not underlie any wear. The cause of the problem, such as a tripped circuit breaker, may have been resolved already. However, since the shorter electrode(s) have a greater specific load, the electrodes continue to wear unevenly.

**Please note** Replace electrodes with significantly uneven wear. Check the power supply (circuit breaker, voltage drop). Also see operating manual of the relevant HygroMatik control, section "Faults and Messages."

### 9.5 Replacing Electrodes



- » Remove and open cylinder, as described in Section 8.3 "Removing and Cleaning Steam Cylinder."
- » Loosen knurled nuts (5) and remove electrodes (48).
- » Install new electrodes and hand tighten the nuts.
- » Use solvent-free, HygroMatik-quality o-rings (for flange, cylinder base and steam hose adapter).
- » Assemble steam cylinder and place it into cylinder
- » Connect plugs (4) directly to the electrodes (48) (with gray, red and black knurled nuts). It is not necessary to detach the knurled nuts!

**NOTICE**

**Ensure proper plug seating on electrode!**

The plug must be pressed down onto the electrode as far as it will go.

**Please note**

Connect plugs to the correct electrodes. Pay attention to the color of the associated knurled nuts.

- » Attach plug (8) to the sensor electrode. (Knurled nut (9) - gray)
- » Switch breaker back on.
- » Switch on the unit and check for leaks after 15-30 minutes of operation.
- » If leakage occurs, switch off power supply and eliminate leakage following safety instructions for work on live components.

**Please note**

Water conductivity is too high or water is not decanted oftenly enough if the following phenomina are observed:

- electrodes must be frequently replaced,
- black slime collects inside the cylinder, or
- there is "lightning" in the cylinder.

In all of these cases please contact HygroMatik.

**9.6 Cleaning the Blow- down pump**

- » Remove cylinder
- » Detach e-cable from pump.
- » Detach adapter (30) from pump.
- » Unscrew screws (44) and remove pump from base.
- » Open pump (bayonet lock).
- » Remove residues from drain hoses and pump (if necessary replace o-ring (33) or housing (34) if these components are no longer in excellent condition).
- » Reassemble pump.

- » Moisten o-ring (31) and insert into cylinder base horizontal stub.
- » Push pump into cylinder base and mount tightly with screws (44).
- » Moisten o-ring (31) and insert in adapter (30).
- » Slide adapter (30) over stub on pump side.
- » Connect e-cable to pump.
- » Install cylinder.
- » Switch on unit and check for leaks during operation.

**⚠ WARNING****Hazardous voltage! Risk of electrical shock!**

Follow safety instructions for work on live components.

---

- » In case of leakage turn off power supply and secure against being switched on again.
- » Redeem leakage.
- » Check again.

## 9.7 Cleaning the Water Inlet Solenoid Valve

### Removal

- » Shut off water supply and loosen water installation hose connection.
- » Remove cylinder.
- » Remove connecting hose (21) from cylinder base.
- » Detach electrical cable from solenoid valve.
- » Unscrew solenoid valve mounting screws and remove solenoid valve from housing.
- » Clean solenoid valve intake area
- » Remove mesh filter (29) from solenoid valve and clean. Replace if required.

### Installation

- » Insert fine mesh filter.
- » Reinsert solenoid valve with seal in unit housing opening and bolt down.
- » Screw on water installation hose.
- » Connect electrical cable to solenoid valve.
- » Attach connecting hose (21) to cylinder base.
- » Install cylinder.
- » Turn on water tap.
- » Switch on unit and check for leaks during operation.

<b>▲ WARNING</b>
------------------

### **Hazardous voltage! Risk of electrical shock!**

Follow safety instructions for work on live components.

---

- » In case of leakage turn off power supply and secure against being switched on again.
- » Eliminate leakage.
- » Check again.

## 9.8 Cleaning the Water Inlet Solenoid Valve and HyFlow System Separator (special models only)

### Removal

- » Shut off water supply and open water installation hose connection.
- » Remove cylinder.
- » Remove grounding sleeve (62) from solenoid valve (63). To do so, push the collet into the John-Guest connection fitting and pull out the grounding sleeve with the HyFlow connecting hose attached.
- » Remove connecting hose from HyFlow to cylinder base.
- » Detach electrical cable from solenoid valve (63).
- » Remove solenoid valve and HyFlow mounting screws.
- » Remove solenoid valve and HyFlow from the housing.
- » Clean inlet section of solenoid valve.
- » Open and clean HyFlow.

### Installation

- » Reinsert solenoid valve with seal in the unit housing opening and bolt down.
- » Screw on water supply hose.
- » Connect electrical cable to the solenoid valve.
- » Attach HyFlow with screw.
- » Attach connecting hose (21) to the base. Squeeze the John Guest connections firmly.
- » Install steam cylinder.
- » Turn on water tap.
- » Switch on the unit and check for leaks during operation.

**▲ WARNING**

**Hazardous voltage! Risk of electrical shock!**

Follow safety instructions for work on live components.

---

- » In case of leakage turn off power supply and secure against being switched on again.
- » Eliminate leakage(s).
- » Check again.

## 9.9 Checking Cable Connections and Electrode Cables

- » Make sure that no cable and plug connections are loose.

### **NOTICE**

#### **Ensure proper plug seating on electrode!**

The plug must be pressed down onto the electrode as far as it will go. Loose cable connections cause excessive contact resistance and overheating of contact surfaces.

---

- » Check electrode plug isolation, replace plugs as needed.

**Please note** Electrode plugs wear out when removed and reinstalled for several times. Replace plugs when required.

## 9.10 Checking Hoses

Since steam and condensate hoses are also subject to wear they have to be checked regularly.

## 9.11 Checking Operation

Start up the unit and operate for a few minutes at maximum output if possible.

- » Check safety devices.
- » Check hose connections for possible leaks.

## 9.12 Dismantling

When end-of-life, de-installation of the steam humidifier for dismantling (demolish or scrap) has to follow the installation procedures in reverse order.

### **▲ WARNING**

#### **Risk of electrical shock!**

Hazardous electrical high voltage!

Electrical dismantling must only be performed by certified expert staff (electricians or expert personnel with equivalent training).

---

**Please note** With regard to disposal, pay special attention to the safety instructions provided in section 2 of this manual.

---

## 10. EC-Declaration of Conformity

### EG-Konformitätserklärung EC Declaration of Conformity

Hersteller: **HygroMatik GmbH**  
Manufacturer: *HygroMatik GmbH*

Anschrift: Lise-Meitner-Straße 3  
Address: *D-24558 Henstedt-Ulzburg / Germany*

**Produktbezeichnung / Product description:**

**Hy-Line:** HY05, HY08, HY13, HY17, HY23, HY30, HY45, HY60, HY90, HY116

**C-Line:** C01, C02, C06, C10, C17, C22, C30, C45, C58

**MiniSteam:** MS05, MS10

**In den Ausführungen / Type:** Basic, Comfort, Comfort Plus, Dampfbad / *Steam bath (DS)*

**Die bezeichneten Produkte stimmen in der von uns in Verkehr gebrachten Ausführung mit den Vorschriften folgender Europäischer Richtlinien überein:**

*The products described above in the form as delivered are in conformity with the provisions of the following European Directives:*

**2004/108/EG** Richtlinie des Rates zur Angleichung der Rechtsvorschriften der Mitgliedstaaten über die elektromagnetische Verträglichkeit.

*Council Directive on the approximation of the laws of the Member States relating to electromagnetic compatibility.*

**2006/95/EG** Richtlinie des Rates zur Anleitung der Rechtsvorschriften der Mitgliedstaaten betreffend elektrische Betriebsmittel zur Verwendung innerhalb bestimmter Spannungsgrenzen.

*Council Directive on the approximation of the laws of the Member States related to electrical equipment designed for use within certain voltage limits.*

Die Konformität mit den Richtlinien wird nachgewiesen durch die Einhaltung folgender Normen:

*Conformity to the Directives is assured through the application of the following standards:*

<b>Referenznummer:</b>	<b>Ausgabedatum:</b>	<b>Referenznummer:</b>	<b>Ausgabedatum:</b>
<i>Reference number:</i>	<i>Edition:</i>	<i>Reference number:</i>	<i>Edition:</i>
DIN EN 55022	2008-05	DIN EN 60335-1	2007-02
DIN EN 61000-4-2	2001-12	DIN EN 60335-1/A13	2009-05
DIN EN 61000-4-3	2008-06	DIN EN 60335-2-98	2009-04
DIN EN 61000-4-4	2005-07	DIN EN 62233	2008-11
DIN EN 61000-4-5	2007-06	DIN EN 62233 Ber.1	2009-04
DIN EN 61000-4-6	2008-04		

Die Anforderungen des Geräte- und Produktsicherheitsgesetzes GPSG) §4 Abs. 1 bis 3 werden eingehalten. Eine vom Lieferzustand abweichende Veränderung des Gerätes führt zum Verlust der Konformität. *The requirements of the German Appliance and Product Safety Law (GPSG) paragraph 4 clause 1 to 3 are met. Product modifications after delivery may result in a loss of conformity.*

Henstedt-Ulzburg, den / the 04.10.2011

HygroMatik GmbH



Dirc Menssing  
General Manager



Dr. Andreas Bock  
Technical Manager

Diese Erklärung bescheinigt die Übereinstimmung mit den genannten Richtlinien, ist jedoch keine Zusicherung von Eigenschaften. Die Sicherheitshinweise der mitgelieferten Produktdokumentation sind zu beachten. *This declaration certifies the conformity to the specified directives but contains no assurance of properties. The safety documentation accompanying the product shall be considered in detail.*

## 11. Spare Parts

*	C01	C02	C06	C10	C17	C22	C30	C45	C58	Article No.	Description
<b>Steam generation</b>											
	1									B-3216131	Steam cylinder CY1 DN20 compl. with electrodes and hand nuts *
		1								B-3204049	Steam cylinder CY2 DN20 compl. with electrodes and hand nuts *
			1							B-3216067	Steam cylinder CY4 compl. with electrodes and hand nuts *
				1						B-3204031	Steam cylinder CY8 DN25 compl. with electrodes and hand nuts *
				1						B-2204231	Steam cylinder CY8 DN40 compl. with electrodes and hand nuts *, for SPA applications since 04.2010
					1					B-2204101	Steam cylinder CY17 DN25 compl. with electrodes and hand nuts *
					1					B-2204103	Steam cylinder CY17 DN40 compl. with electrodes and hand nuts *, for SPA applications since 04.2010
11						1				B-2204151	Steam cylinder CY17 DN40 compl. with 3 electrodes and hand nuts *
							1			B-2204111	Steam cylinder CY17 DN40 compl. with 6 electrodes and hand nuts *
								1		B-2204105	Steam cylinder CY30 compl. with electrodes and hand nuts *
									1	B-2204109	Steam cylinder CY45 compl. with electrodes and hand nuts *
17	1									E-3216044	O-ring seal for cylinder flange
17			1							E-3216046	O-ring seal for cylinder flange
17		1		1						E-3216010	O-ring seal for cylinder flange
17					1	1	1			E-2206050	O-ring seal for cylinder flange
17								1		E-2206051	O-ring seal for cylinder flange
17									1	E-2207011	O-ring seal for cylinder flange
35			1	1						E-3216011	O-ring seal for cylinder base
35					1	1	1	1	1	E-2204022	O-ring seal for cylinder base
48	1									B-3204069	Electrodes without hand nuts, set=2pc. for CY1
49	1	1								B-2207099	Hand nuts, set=2pc., for CY2
48		1								B-3204043	Electrodes without hand nuts, set=2pc. for CY2
48			1							B-3216063	Electrodes without hand nuts, set=3pc. for CY4
49			1							B-2207101	Hand nuts, set=3pc., for CY4 & CY8
48				1						B-3204021	Electrodes without hand nuts, set=3pc. for CY8
49				1						B-2207101	Hand nuts, set=3pc., for CY4 & CY8
48					1					B-2204087	Electrodes without hand nuts, set=3pc. for CY17
49					1	1				B-2207103	Hand nuts, set=3pc., for CY17
48						1				B-2206221	Electrodes without hand nuts, set=3pc. for CY17, CY30 DN40
48							1			B-2204089	Electrodes without hand nuts, set=6pc. for CY17 DN40
49							1	1		B-2207105	Hand nuts, set=6pc., for CY17 & 30
48								1		B-2204093	Electrodes without hand nuts, set=6pc. for CY30 DN40
48									1	B-2204091	Electrodes without hand nuts, set=6pc. for CY45 DN40
49									1	B-2207107	Hand nuts, set=6pc., for CY45
10	1									B-3204073	Sensor electrode compl. with hand nut
10		1								B-3204047	Sensor electrode compl. with hand nut
10			1							B-3204037	Sensor electrode compl. with hand nut
10				1						B-3204027	Sensor electrode compl. with hand nut
10					1	1	1	1	1	B-2204075	Sensor electrode compl. with hand nut
10	1	1	1	1	1	1	1	1	1	E-3216025	Plug-in contact with insulating hose for sensor electrode
4	2		3	3						E-3216024	Plug-in contact with insulating hose for electrodes
4					3	3	6	6		B-2206065	Plug-in contact with insulating hose for electrodes
4									6	E-2207016	Plug-in contact with insulating hose for electrodes
18	8	12	12	12	18	18	18	24	36	E-3216022	Cylinder flange clamp
37	1	1	1	1						E-3220000	Cylinder base DN 20/25i/15/12
37					1	1	1	1	1	E-2206086	Cylinder base DN 40/25i/15/12
		1	1	1						B-3216023	Mounting set for cylinder base
					1	1	1	1	1	B-2214023	Mounting set for cylinder base
12	1	1	1							E-3216020	Condensate cap DN9
12				1	1	1	1	1	1	E-2204035	Condensate cap DN12



*	C01	C02	C06	C10	C17	C22	C30	C45	C58	Article No.	Description
1	1	1	1							E-3221000	Adapter DN20/25 for Steam hose DN25
1				1						E-3221002	Adapter for steam hose DN25
1				1						E-3221008	Adapter for steam hose DN40, for SPA applications since 04.2010
1					1					E-2209000	Adapter for steam hose DN25
1					1					E-2209004	Adapter for steam hose DN40, for SPA applications since 04.2010
1						1	1			E-2209004	Adapter for steam hose DN40
1								1		E-2209006	Adapter for steam hose DN40
1									2	E-2209008	Adapter for steam hose DN40
					1					E-2209014	Adapter steam outlet DN40/25
2	1	1	1	1	1					E-3221004	Clip for adapter DN25
2						1	1	1	2	E-2209002	Clip for adapter DN40
3	1	1	1							E-3216011	O-ring for adapter DN20/25
3				1	1					E-3221006	O-ring for adapter DN25
3				1	1					E-2204022	O-ring for adapter DN40, for SPA applications since 04.2010
3							1	1	2	E-2209010	O-ring for adapter DN25 (until October 2003)
3						1	1	1	2	E-2204022	O-ring for adapter DN40 (until October 2003)
	1									B-3216011	O-ringset for C01
		1								B-3216069	O-ringset for C02
			1							B-3216071	O-ringset for C06
				1						B-3216073	O-ringset for C10
				1						B-3216099	O-ringset for C10, for SPA applications since 04.2010
					1					B-2207021	O-ringset for C17
					1					B-2207019	O-ringset for C17, for SPA applications since 04.2010
						1				B-2207019	O-ringset for C22
							1			B-2207023	O-ringset for C30
								1		B-2207025	O-ringset for C45
									1	B-2207027	O-ringset for C58
<b>Water feed</b>											
21	0,7	0,7	0,8	0,9	0,9	0,9	0,9	0,9	1,6	E-2604002	Connecting hose, solenoid valve - cylinder base, per m
25	1	1	1							B-2304081	Solenoid valve, servo controlled, 0,2 - 10bar, 1,2 l/min at 5 bar
25				1						B-2304083	Solenoid valve, servo controlled, 0,2 - 10bar, 2,5 l/min at 5 bar
25					1	1	1	1	1	B-2304085	Solenoid valve, servo controlled, 0,2 - 10bar, 3,3 l/min at 5 bar
	1	1	1							B-2304059	Double solenoid valve for Super flush applications, 2,5l/min at 5 bar
				1						B-2304061	Double solenoid valve for Super flush applications, 2,5l/min at 5 bar
					1	1	1	1	1	B-2304069	Double solenoid valve for Super flush applications, 3,5l/min at 5 bar
	1	1	1	1	1	1	1	1	1	E-2304036	Sealing for solenoid valve/unit
56	1	1	1	1	1	1	1	1	1	B-2304031	Hose for water connection, 3/4" cap nuts on both sides
38	0,4	0,4	0,4	0,4	0,6	0,6	0,6	0,6	0,8	E-2604004	Hose for manual water drain
20	1	1	1	1	1	1	1	1	1	E-2604062	Stopper, conical, lock for hose
22	4	4	4	4	4	4	4	4	4	E-2304015	Hose clamp 10-16mm
24	0,1	0,1	0,1	0,1	0,1	0,1	0,1	0,1	0,1	E-2604002	Connecting hose solenoid valve - bush for earthing
23	1	1	1	1	1	1	1	1	1	E-2304080	Bush for earthing
58	1	1	1	1	1	1	1	1	1	E-2604094	double check valve

*	C01	C02	C06	C10	C17	C22	C30	C45	C58	Article No.	Description
64			1	1	1	1	1	1	1	B-3320403	HyFlow with air-vent
60			0,3	0,5	0,5	0,5	0,5	0,6	0,6	E-7600186	Connecting hose: bush for earthing-HyFlow
61			1	1	1	1	1	1	1	E-7600094	Connecting piece, straight
62			1	1	1	1	1	1	1	E-2304078	Bush for earthing (HyFlow)
63			1							E-2304074	Solenoid valve, servo controlled, straight type, 0,2-10bar, 1,1l/min. at 10 bar, John-Guest connection 8mm
63				1						E-2304064	Solenoid valve, servo controlled, straight type, 0,2-10bar, 2,5l/min. at 10 bar, John-Guest connection 8mm
63					1	1	1	1	1	E-2304072	Solenoid valve, servo controlled, straight type, 0,2-10bar, 3,4l/min. at 10 bar, John-Guest connection 8mm
65			0,4	0,6	0,6	0,6	0,6	0,7	0,8	E-2604004	Connecting hose HyFlow-cylinder base
66			0,4	0,4	0,6	0,6	0,6	0,7	0,8	E-7600224	Connecting hose HyFlow-drain
67										E-8501064	Hose clamp 12-22mm
											<b>Water drain</b>
	1									B-3401005	Pump-drain-hose-system (Pos. 6, 14, 15, 30, 31)
		1								B-3401007	Pump-drain-hose-system (Pos. 6, 14, 15, 30, 31)
			1							B-3401015	Pump-drain-hose-system (Pos. 6, 14, 15, 30, 31)
				1						B-3401017	Pump-drain-hose-system (Pos. 6, 14, 15, 30, 31)
					1	1	1			B-3401019	Pump-drain-hose-system (Pos. 6, 14, 15, 30, 31)
								1		B-3401013	Pump-drain-hose-system (Pos. 6, 14, 15, 30, 31)
									1	B-3401021	Pump-drain-hose-system (Pos. 6, 14, 15, 30, 31)
31	1	1	1	1	1	1	1	1	1	E-3220005	O-ring for pump - cylinder base
31	1	1	1	1	1	1	1	1	1	E-3220005	O-ring for pump - adapter
32	1	1	1	1	1	1	1	1	1	B-2404027	Drain pump without mounting set
	1	1	1	1	1	1	1	1	1	E-2404024	O-ring for drain pump (cover-motor)
57	1	1	1	1	1	1	1	1	1	E-2420423	Drain hose 1 1/4"
	1	1	1	1	1	1	1	1	1	B-2424014	Mounting set for drain pump
6	1	1	1	1	1	1	1	1	1	E-2425004	Elbow with vent pipe
39	1	1	1	1	1	1	1	1	1	E-8501064	Hose clamp 12-22mm
	1	1	1	1	1	1	1	1	1	B-2424014	Mounting set for drain pump (pos. 42-44)
											<b>Electronic Universal</b>
	1	1								E-2507040	Main contactor 20A, 230V
			1	1						E-2501005	Main contactor 16A, 230V
					1					B-2507041	Main contactor 20A, 230V
						1	1			B-2507061	Main contactor 35A, 230V
								1		B-2507071	Main contactor 50A, 230V
									1	B-2507081	Main contactor 65A, 230V
	1	1	1	1	1		1	1	1	E-2505206	Control fuse 1,6A, 5x20 mm
4	1	1									
4			1	1						B-3526019	Connecting cables for electrodes with plug-in contact, set=3pc
4					1					B-2524201	Connecting cables for electrodes with plug-in contact, set=3pc
4						1				B-2524249	Connecting cables for electrodes with plug-in contact, set=3pc
4							1			B-2524205	Connecting cables for electrodes with plug-in contact, set=6pc
4								1		B-2524209	Connecting cables for electrodes with plug-in contact, set=6pc
4									1	B-2524213	Connecting cables for electrodes with plug-in contact, set=6pc
	1	1	1	1	1	1	1			B-2525051	Connecting cable for sensor electrode with plug-in contact, 630mm
									1	B-2525053	Connecting cable for sensor electrode with plug-in contact, 870mm
											<b>Steam generation with electrical supply higher than 500V</b>
					1	1	1			E-2206054	O-ring CY17, silicone, for cylinder flange
									1	E-2206056	O-ring CY30, silicone, for cylinderflange
									1	E-2207014	O-ring CY45, silicone, for cylinderflange
				1	1					B-2208007	Cylinder star CY17/3
						1				B-2208013	Cylinder star CY17/6
								1		B-2208009	Cylinder star CY 30
									1	B-2208011	Cylinder star CY 45
				3		3	6			E-2206059	Plug-in conatct for electrode 35A
									6	E-2207016	Plug-in conatct for electrode 63A

*	C01	C02	C06	C10	C17	C22	C30	C45	C58	Article No.	Description
											<b>Control, electrical supply higher than 500V</b>
					1		1	1	1	E-2504158	Transformer 690V/230V, 25VA
					1		1	1	1	E-2504166	Transformer 660V-690V/230V, 130VA
					1		1	1	1	E-2590102	Line safety switch, 1 A
											<b>Control, electrical supply between 240V and 480V</b>
			1	1	1		1	1	1	E-2504220	Transformer 208V-460V/230V
											<b>Control, electrical supply 240V and below</b>
								1		E-2504092	Main contactor 100 A, 230V
							1			B-2507081	Main contactor 65A, 230V
					1					B-2507061	Main contactor 35A, 230V
			1	1						B-2507041	Main contactor 20A, 230V
							1			B-2524209	Cable for electrode 35A/6mm <sup>2</sup>
											<b>Basic Control</b>
	1	1	1	1	1	1	1	1	1	B-2526201	Basic Mainboard
51	1	1	1	1	1	1	1	1	1	E-2502412	Control switch, double pole
			1	1	1	1	1	1	1	B-2120901	Mounting plate (Basic) until May 2014
	1	1								B-2120915	Mounting plate (Basic) until May 2014
					1	1	1	1	1	B-2120901	Mounting plate (Basic) since June 2014
	1	1	1	1						B-2120915	Mounting plate (Basic) since June 2014
											<b>Comfort Control</b>
	1	1	1	1	1	1	1	1	1	B-2526201	Basic Mainboard
51	1	1	1	1	1	1	1	1	1	E-2502412	Control switch, double pole
			1	1	1	1	1	1	1	B-2526401	Display (Comfort), with mounting plate + foil, until May 2014
	1	1								B-2526489	Display (Comfort), with mounting plate + foil, until May 2014
					1	1	1	1	1	B-2526401	Display (Comfort), with mounting plate + foil, since June 2014
	1	1	1	1						B-2526489	Display (Comfort), with mounting plate + foil, since June 2014
											<b>Comfort Plus Control</b>
			1	1	1	1	1	1	1	B-2526201	Basic Mainboard
51			1	1	1	1	1	1	1	E-2502412	Control switch, double pole
			1	1	1	1	1	1	1	B-2526403	Display (Comfort Plus), with mounting plate + foil, until May 2014
					1	1	1	1	1	B-2526403	Display (Comfort Plus), with mounting plate + foil, since June 2014
											<b>DS-Control</b>
	1	1	1	1	1	1	1	1	1	B-2526211	DS-Basic Mainboard (PCB)
51	1	1	1	1	1	1	1	1	1	E-2502412	Control switch, double-pole
			x	x	x	x	x	x	x	B-2526401	Display (Comfort), grey, with mounting plate + foil, until Dec. 2009
			x	x	x	x	x	x	x	B-2526403	Display (Comfort Plus), grey, with mount. plate + foil, until Dec. 2009
	x	x								B-2526487	Display (Comfort), yellow, with mount. plate + foil, from Jan. 2010 until May 2014
			x	x	x	x	x	x	x	B-2526445	Display (Comfort), yellow, with mount. plate + foil, from Jan. 2010 until May 2014
	x	x	x	x						B-2526487	Display (Comfort), yellow, with mount. plate + foil, since June 2014
					x	x	x	x	x	B-2526445	Display (Comfort), yellow, with mount. plate + foil, since June 2014
			x	x	x	x	x	x	x	B-2526447	Display (Comfort Plus), yellow, with mount. plate + foil, from Jan. 2010 until May 2014
					x	x	x	x	x	B-2526447	Display (Comfort Plus), yellow, with mount. plate + foil, since June 2014
	x	x	x	x	x	x	x	x	x	E-0605228	Temperature sensor for DS, incl. 6m cable
	x	x	x	x	x	x	x	x	x	B-2505207	Holder for temperature sensor incl. mounting set for E-0605228
	x	x	x	x	x	x	x	x	x	E-2505206	Fuse for light, fan, essence injector 1.6A, 5x20mm
	x	x	x	x	x	x	x	x	x	E-3516020	Fuse for essence injection 2.5A, 2x20mm
			x	x	x	x	x	x	x	E-2504039	Fuse for transformer (E-2504154) 5A, 5x20mm
			x	x	x	x	x	x	x	E-2504200	Transformer 230/24V/130VA

*	C01	C02	C06	C10	C17	C22	C30	C45	C58	Article No.	Description
<b>Essence Injection</b>											
	x	x	x	x	x	x	x	x		B-2604091	pump, peristaltic DSP9111; 230V/50Hz; 3l/h
	x	x	x	x	x	x	x	x		E-2604072	hose for peristaltic pump DSP9431
	x	x	x	x	x	x	x	x		E-2604074	hose for peristaltic pump DSP9111
	x	x	x	x	x	x	x	x		E-2604076	hose connector for silicon hoses, 6mm
	x	x	x	x	x	x	x	x		E-2604070	hose, silicon, for essence; 6x1,5
	x	x	x	x	x	x	x	x		B-2604067	T-piece for essence injection (DN25)
	x	x	x	x	x	x	x	x		B-2604069	T-piece for essence injection (DN40)
<b>Accessories</b>											
	x	x	x	x	x					E-2604012	Steam hose DN25, per m
				x	x					E-2604013	Steam hose DN40, for SPA application since 04.2010, per m
						x	x	x	x	E-2604013	Steam hose DN40, per m
	x	x	x	x	x	x	x	x	x	E-2604002	Condensate hose DN12, per m
	x	x	x	x	x					E-2404004	Steam hose clamp DN25
				x	x					E-2604016	Steam hose clamp DN40, for SPA application since 04.2010
						x	x	x	x	E-2604016	Steam hose clamp DN40
	x	x	x	x	x	x	x	x	x	E-2304015	Condensate hose clamp
	x	x	x	x	x					B-2604025	Steam solenoid valve 0-0,4bar, compl. for steam hose DN 25
				x	x					B-2604040	Steam solenoid valve 0-0.4bar, compl. for steam hose DN40, for SPA application since 04.2010
						x	x	x	x	B-2604040	Steam solenoid valve 0-0.4bar, compl. for steam hose DN40
	x	x	x	x	x					E-2604042	Connectors for steam distribution T-piece DN25, stainless steel
				x	x					E-2604023	Connectors for steam distribution T-piece DN40, stainless steel, for SPA application since 04.2010
						x	x	x	x	E-2604023	Connectors for steam distribution T-piece DN40, stainless steel
	x	x	x	x	x	x	x	x	x	E-2604021	Connectors for condensate T-piece DN12
	÷	÷	÷	1						B-2208005	Cylinder star
					1	1				B-2208007	Cylinder star
							1			B-2208013	Cylinder star
								1		B-2208009	Cylinder star
									1	B-2208011	Cylinder star
	1		1							B-3304061	Super flush complete
		1		1						B-2304063	Super flush complete
					1	1	1	1	1	B-2304065	Super flush complete
		x		x	x	x	x	x	x	B-2304067	Nozzle for Super Flush
	x		x							B-2304089	Nozzle for Super Flush
56	x	x	x	x	x	x	x	x	x	B-2304031	Water connection hose, flexible, 0,6 m 3/4", with connector
			x	x	x	x	x	x	x	B-3320406	Filling cup complete, until May 2014
<b>If you order any spare parts, please specify type and serial number of the unit.</b>											
* see Exploded View											
** If the Super Flush System is installed, consider to order also a new nozzle (B-2304079), please.											

**12. Fax Form - Order for spare parts**

HygroMatik GmbH  
 Lise-Meitner-Str. 3  
 24558 Henstedt-Ulzburg  
 Tel. +4904193/895-0

**Fax Form**

Please copy, fill in and fax to

Fax.No. **+49(0)4193/895-31**

**Order of spare parts**

**unit type \*** \_\_\_\_\_ **serial no.\*** \_\_\_\_\_

commission: \_\_\_\_\_ order no.: \_\_\_\_\_

quantity	article	article no.

date of delivery \_\_\_\_\_ forwarder \_\_\_\_\_ shipment by \_\_\_\_\_

delivery address (if different  
 from invoice address)

\_\_\_\_\_

\_\_\_\_\_

\_\_\_\_\_

\_\_\_\_\_

company stamp (delivery adress)

date/signature

\* Order can only be processed if unit type and unit serial no. are filled in.

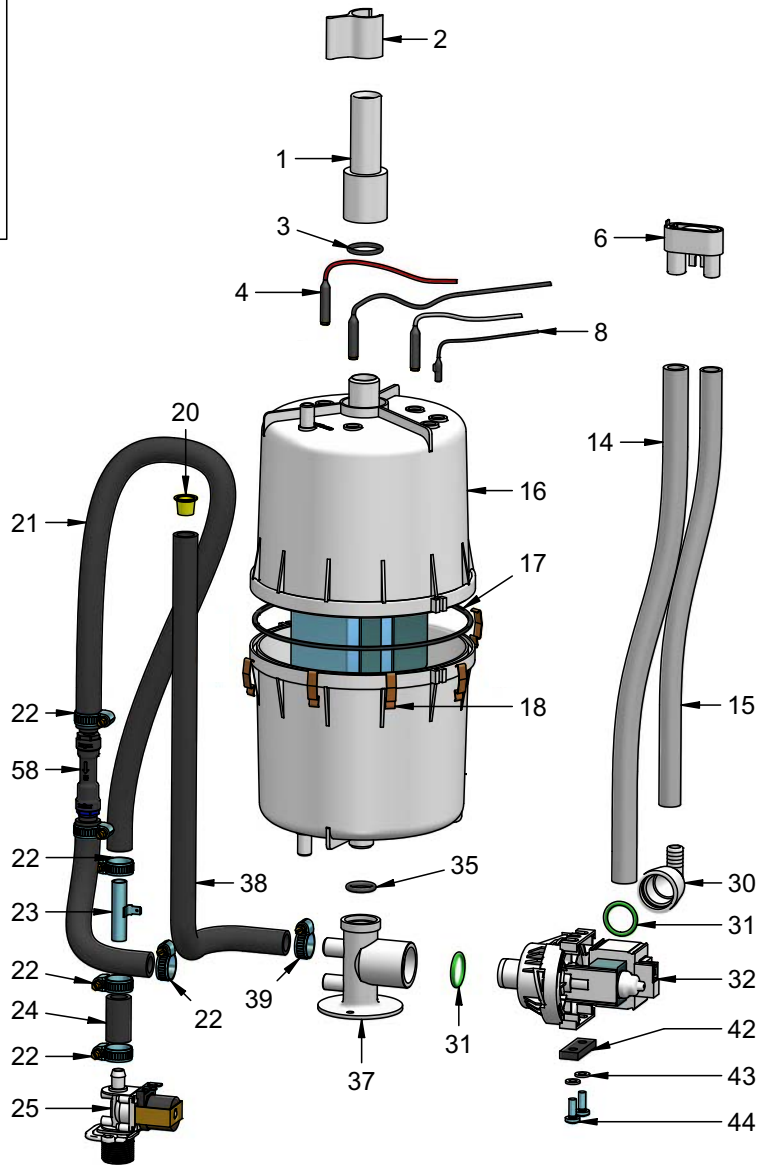
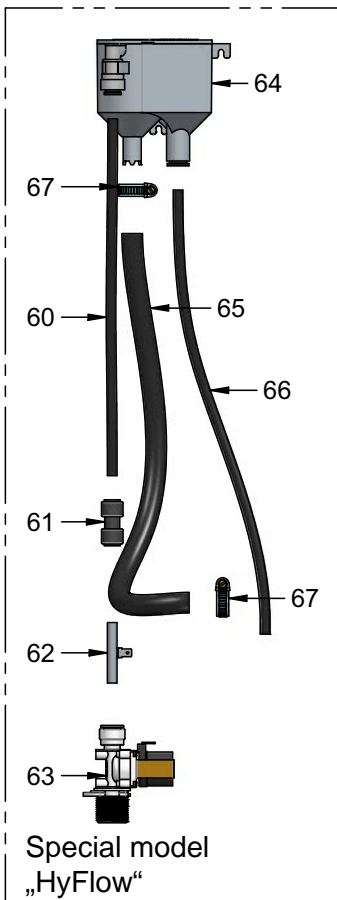
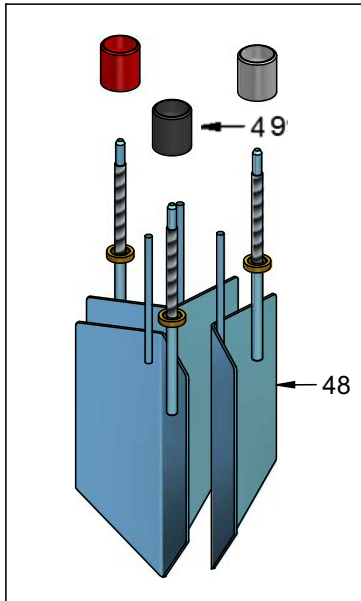
This page intentionally left blank

### 13. Technical Data

Technical Data Steam Humidifiers CompactLine C01-C58										
Type	C01	C02	C06	C10	C17	C22	C30	C45	C58	
Steam Output [kg/h]	1,0	2,0	6,0	10,0	17,0	22	30,0	45,0	58,0	
Electrical Supply*	230V/1~/N 50-60Hz		400V/3~/N 50-60 Hz							
Electrical Power [kW]	0,75	1,5	4,5	7,5	12,8	16,5	22,5	33,8	43,5	
Current [A]	3,3	6,5	6,5	10,8	18,4	23,8	32,5	48,8	62,8	
Fuse [A]****	1x6	1x10	3x10	3x16	3x20	3x35	3x35	3x63	3x63	
Control Type	Basic, Comfort		Basic, Comfort, Comfort Plus							
Control Voltage	230V									
Steam Hose Connection [mm]	1x25	1x25	1x25	1x25	1x25	1x40	1x40	1x40**	2x40	
Condensate Hose Connection [mm]	1x9	1x9	1x9	1x12	1x12	1x12	1x12	1x12***	2x12	
Empty Weight [kg]	9	10	10	11	20	19	21	24	32	
Operational Weight [kg]	10	13	13	16	33	32	34	45	68	
Dimensions*****	Height [mm]	385	365	436	478	651	651	651	707	787
	Width [mm]	355	392	403	415	480	480	480	528	615
	Depth [mm]	171	221	208	238	308	308	308	343	394
Water Supply	100 x 10 <sup>3</sup> til 100 x 10 <sup>4</sup> Pascal, for ¾" external thread									

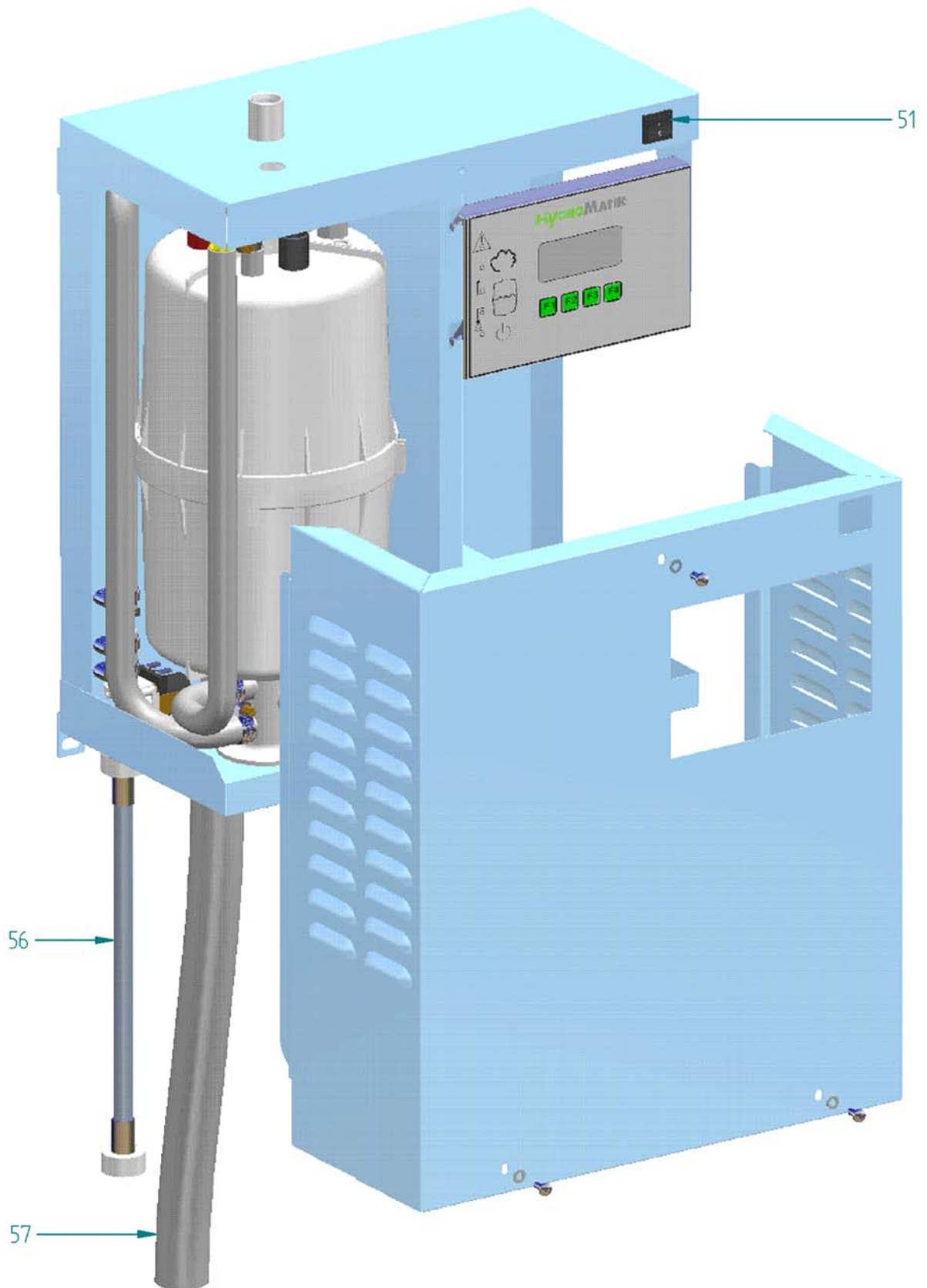
Technical Data Steam Humidifiers for SPA										
CompactLine C01-DS - C58-DS										
Type	C01	C02	C6	C10	C17	C22	C30	C45	C58	
Steam Output [kg/h]	1,0	2,0	6,0	10,0	17,0	22	30,0	45,0	58,0	
Electrical Supply*	230V/1~/N 50-60Hz		400V/3~/N 50-60 Hz							
Electrical Power [kW]	0,75	1,5	4,5	7,5	12,8	16,5	22,5	33,8	43,5	
Current [A]	3,3	6,5	6,5	10,8	18,4	23,8	32,5	48,8	62,8	
Fuse [A]****	1x6	1x10	3x10	3x16	3x20	3x35	3x35	3x63	3x63	
Control Type	Basic-DS Comfort-DS		Basic-DS, Comfort-DS, Comfort Plus-DS							
Control Voltage	230V									
Steam Hose Connection [mm]	1x25	1x25	1x25	1x40	1x40	1x40	1x40	1x40**	2x40	
Condensate Hose Connection [mm]	1x9	1x9	1x9	1x12	1x12	1x12	1x12	1x12***	2x12	
Empty Weight [kg]	9	10	10	11	20	19	21	24	32	
Operational Weight [kg]	10	13	13	16	33	32	34	45	68	
Dimensions*****	Height [mm]	385	365	436	478	651	651	651	707	787
	Width [mm]	355	392	403	415	480	480	480	528	615
	Depth [mm]	171	221	208	238	308	308	308	343	394
Water Supply	100 x 10 <sup>3</sup> til 100 x 10 <sup>4</sup> Pascal, for ¾" external thread									
***** Outer dimensions of width and depth. Height incl. drain connection.										
**** Times 1.3 power input after Full Blow Down. If expulsion fuses are used close to their specific limit we recommend to choose expulsion fuses with a higher range.										
*** The delivery includes Y-pieces to condensate return of two manifolds.										
** The delivery includes required Y-pieces for connection of two manifolds.										
* Other voltages on request.										

### 14. Exploded View





**15. View of housing**





# HyGROMATIK®

Lise-Meitner-Str.3 • D-24558 Henstedt-Ulzburg  
Phone +49(0)4193/ 895-0 • Fax -33  
eMail [hy@hygromatik.de](mailto:hy@hygromatik.de) • [www.hygromatik.com](http://www.hygromatik.com)  
A member of the **spirax/sarco** Group